

SUBMITTAL RECORD

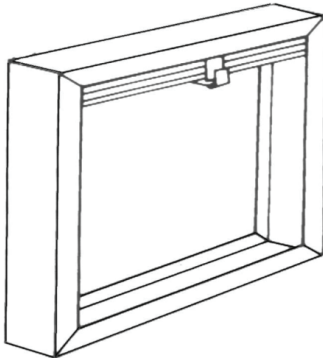
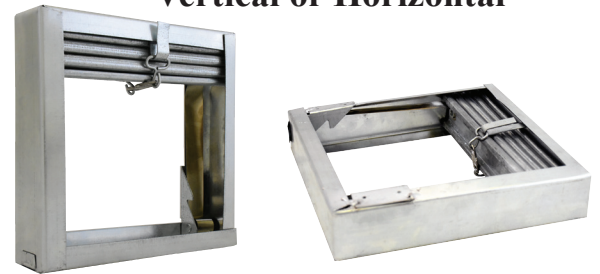
JOB _____
 LOCATION _____
 SUBMITTED TO _____
 SUBMITTAL PREPARED BY _____
 APPROVED BY _____
 DATE _____



Submittal Form
UL10D-DY TL Dynamic
“Thin Line”

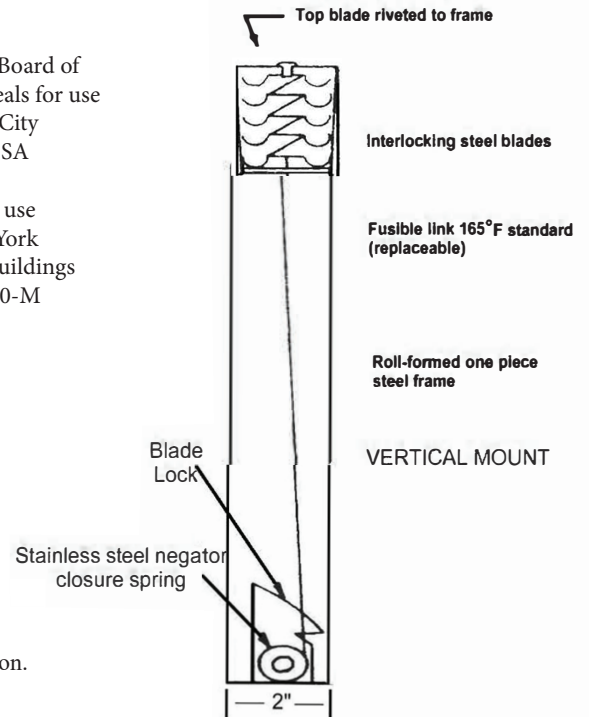
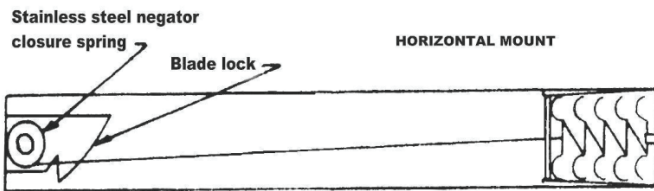
1-1/2 Hour Fire-Limit UL Fire Damper
Vertical or Horizontal

UNDERWRITERS' LABORATORIES INC.
 CLASSIFIED
 FIRE RESISTANCE RATING 1-1/2 HOUR
 No. _____
 See U.L. Classified Building Materials Index



Approved by the Board of
 Standards and Appeals for use
 in New York City
 Cal. 291-80-SA

Accepted for use
 City of New York
 Department of Buildings
 MEA#: 302-00-M



- 2” Deep Channel Frame
- Variation of 2” Deep channel frame are available incorporating the Type B construction.
- Standard construction materials: Galvanized Steel
- Specification for all material per Underwriters’ Laboratories Standard for Safety UL555.
- Underwriters’ Laboratories: Labeled for use in sizes no larger than shown in U.L. Building Material List in a 2-hour fire partition.
- Meets National Fire Protection Assoc. - NFPA 90A
- Dynamic Fire Dampers: Bi-Directional 2400 FPM Maximum velocity / 4.0 WG Maximum Static Pressure
- Feature vertical closure spring operation under airflow in HVAC systems where fans remain running in fire and smoke control.
- Dynamic Fire Dampers bear a label attesting to airflow and maximum static pressure limits.
- Damper shall be labelled for proper vertical/horizontal installation.

Damper Mounting Position	Minimum Damper Size (in.)		Single Section Damper Size Maximum (in.)	
	Width	Height	Width	Height
Vertical	4	4	12	12
Horizontal	4	4	12	12

SUGGESTED SPECIFICATIONS

Fire Dampers shall be Duro Dyne UL10D-DY TL Static type dampers. Installation shall be as described in the Duro Dyne Fire Damper instructions. Sizes and locations shall be as indicated on the mechanical drawings.

Duro Dyne National Corporate Headquarters, Bay Shore, NY
 631-249-9000 • Fax: 631-249-8346
 Duro Dyne Midwest • Duro Dyne West • Duro Dyne Canada
 www.durodyne.com • E-mail: durodyne@durodyne.com



10/25/2022
 BO040029