

# TORK MODEL W100

## SEVEN DAY CALENDAR DIAL TIME SWITCH

**SWITCH:** SPST

**CONTACT RATINGS:**

40 AMP TUNGSTEN 120VAC

40 AMP RESISTIVE

120-277VAC SINGLE PHASE

40 AMP GENERAL PURPOSE

120-277VAC SINGLE PHASE

20 AMP INDUCTIVE

120VAC, 277VAC

SINGLE PHASE

1000VA PILOT DUTY

120-277VAC

2 HP (24 FLA) 120VAC;

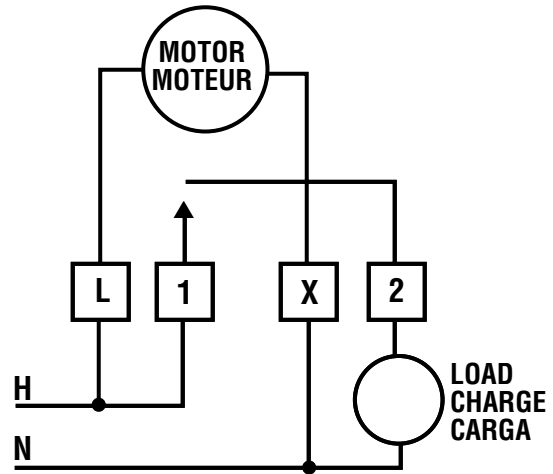
5HP (28 FLA) 240VAC

**TIMING MOTOR :**

120VAC 60Hz

**POWER CONSUMPTION :**

3 WATTS MAX.



Typical connections for 120VAC

Disconnect power at main panel prior to installing or servicing this time switch or the equipment connected to it.

Connect in accordance with national and local electrical codes.

Supply Connections: Use gauge specified (AWG # 8-14) suitable for 75 degrees C (167 degrees F)

### INSTALLATION AND OPERATING INSTRUCTIONS

**TO SET ON AND OFF TIMES:** ON and OFF trippers close and open all circuits simultaneously. Dial is graduated in one hour intervals. There must be an ON and an OFF tripper for each day of the week operations are desired. Place tripper on dial edge as shown in diagram. Set point of each tripper at the desired operating time. Hold tripper securely against dial and tighten knurled screw firmly by hand. (Do not use pliers).

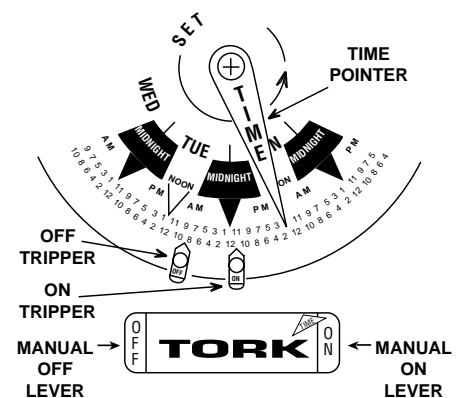
**NOTE:** *Trippers are inter-changeable. With the knurl screw inserted in the side marked ON, it will become an ON tripper. If the tripper is turned over and the screw inserted in the side marked OFF, it becomes an OFF tripper.*

Be certain to select the proper day and notice whether the selected time is AM or PM. Minimum ON time is 1 hour. Minimum OFF time is 2 hours. (There must be at least six hours between any two OFF trippers).

**TO SET DIAL TO TIME:** Turn dial COUNTER-CLOCKWISE until correct time of day and day of week is indicated by time pointer. For ACCURATE OPERATION, care must be used in setting dial to time. Each notch advances the dial approximately 15 minutes. DO NOT FORCE DIAL BACKWARDS.

**TO OMIT A DAY:** Remove both ON and OFF trippers from the dial for the day or days to be omitted.

**FOR MANUAL OPERATION OF CONTACTS:** Press down lever on right of nameplate to close circuit. Press up lever on left of nameplate to open it.



# TORK MODEL W120

## SEVEN DAY CALENDAR DIAL TIME SWITCH

**SWITCH:** SPDT

**CONTACT RATINGS:**

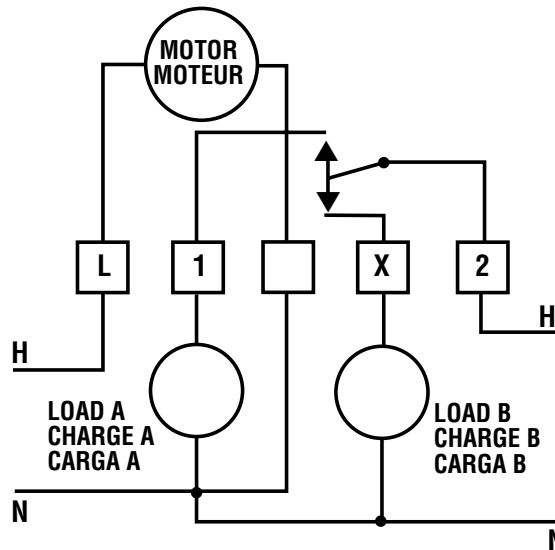
40 AMP TUNGSTEN 120VAC  
 40 AMP RESISTIVE  
 120-277VAC SINGLE PHASE  
 40 AMP GENERAL PURPOSE  
 120-277VAC SINGLE PHASE  
 20 AMP INDUCTIVE  
 120VAC, 277VAC  
 SINGLE PHASE  
 1000VA PILOT DUTY  
 120-277VAC  
 2 HP (24 FLA) 120VAC;  
 5HP (28 FLA) 240VAC

**TIMING MOTOR :**

120VAC 60Hz

**POWER CONSUMPTION :**

3 WATTS MAX.



Disconnect power at main panel prior to installing or servicing this time switch or the equipment connected to it.

Connect in accordance with national and local electrical codes.

Supply Connections: Use gauge specified (AWG # 8-14) suitable for 75 degrees C (167 degrees F)

### INSTALLATION AND OPERATING INSTRUCTIONS

**TO SET ON AND OFF TIMES:** ON trippers close circuit A. OFF trippers close circuit B. Dial is graduated in one hour intervals. There must be an ON and an OFF tripper for each day of the week operations are desired. Place tripper on dial edge as shown in diagram. Set point of each tripper at the desired operating time. Hold tripper securely against dial and tighten knurled screw firmly by hand. (Do not use pliers).

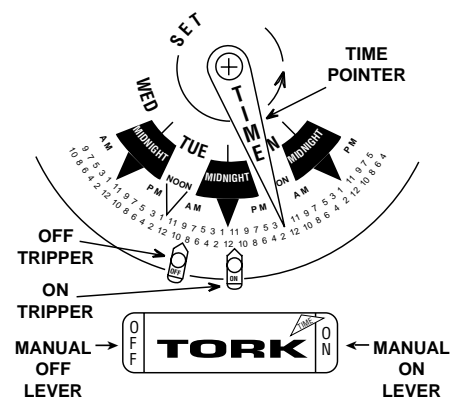
**NOTE:** *Trippers are inter-changeable. With the knurl screw inserted in the side marked ON, it will become an ON tripper. If the tripper is turned over and the screw inserted in the side marked OFF, it becomes an OFF tripper.*

Be certain to select the proper day and notice whether the selected time is AM or PM. Minimum ON time is 1 hour. Minimum OFF time is 2 hours. (There must be at least six hours between any two OFF trippers).

**TO SET DIAL TO TIME:** Turn dial COUNTER-CLOCKWISE until correct time of day and day of week is indicated by time pointer. For ACCURATE OPERATION, care must be used in setting dial to time. Each notch advances the dial approximately 15 minutes. DO NOT FORCE DIAL BACKWARDS.

**TO OMIT A DAY:** Remove both ON and OFF trippers from the dial for the day or days to be omitted.

**FOR MANUAL OPERATION OF CONTACTS:** Press down lever on right of nameplate to close circuit. Press down lever on left of nameplate to open it.



# TORK MODEL W202

## SEVEN DAY CALENDAR DIAL TIME SWITCH

**SWITCH:** DPST

**CONTACT RATINGS:**

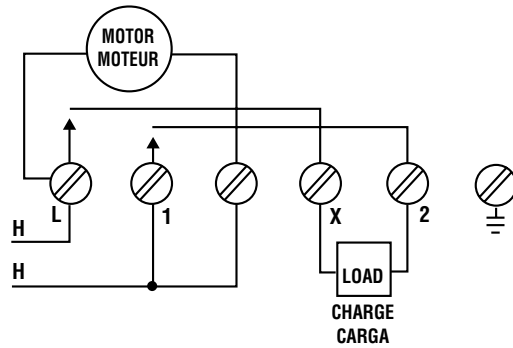
- 40 AMP TUNGSTEN 120VAC
- 40 AMP RESISTIVE
- 120-277VAC SINGLE PHASE
- 40 AMP GENERAL PURPOSE
- 120-277VAC SINGLE PHASE
- 20 AMP INDUCTIVE
- 120VAC, 277VAC
- SINGLE PHASE
- 1000VA PILOT DUTY
- 120-277VAC
- 2 HP (24 FLA) 120VAC;
- 5HP (28 FLA) 240VAC

**TIMING MOTOR :**

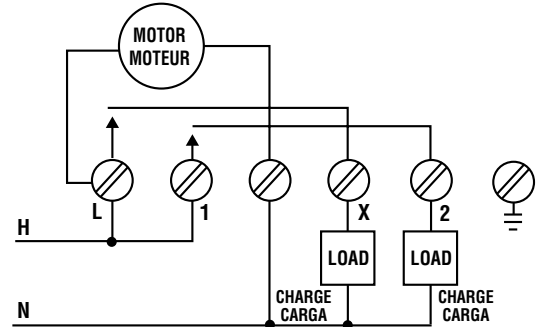
208-277VAC 60Hz

**POWER CONSUMPTION :**

3 WATTS MAX.



Typical for 208-240VAC supply.



Typical for 277VAC supply.

Disconnect power at main panel prior to installing or servicing this time switch or the equipment connected to it.

Connect in accordance with national and local electrical codes.

Supply Connections: Use gauge specified (AWG # 8-14) suitable for 75 degrees C (167 degrees F)

### INSTALLATION AND OPERATING INSTRUCTIONS

**TO SET ON AND OFF TIMES:** ON and OFF trippers close and open all circuits simultaneously. Dial is graduated in one hour intervals. There must be an ON and an OFF tripper for each day of the week operations are desired. Place tripper on dial edge as shown in diagram. Set point of each tripper at the desired operating time. Hold tripper securely against dial and tighten knurled screw firmly by hand. (Do not use pliers).

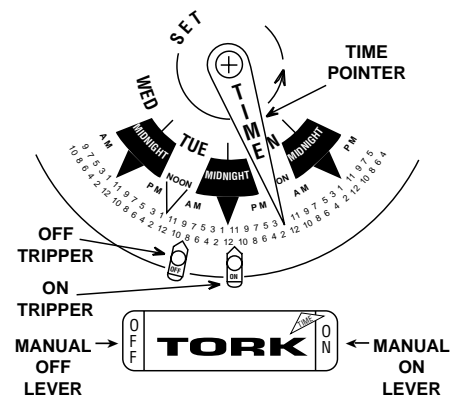
**NOTE:** *Trippers are inter-changeable. With the knurl screw inserted in the side marked ON, it will become an ON tripper. If the tripper is turned over and the screw inserted in the side marked OFF, it becomes an OFF tripper.*

Be certain to select the proper day and notice whether the selected time is AM or PM. Minimum ON time is 1 hour. Minimum OFF time is 2 hours. (There must be at least six hours between any two OFF trippers).

**TO SET DIAL TO TIME:** Turn dial COUNTER-CLOCKWISE until correct time of day and day of week is indicated by time pointer. For ACCURATE OPERATION, care must be used in setting dial to time. Each notch advances the dial approximately 15 minutes. DO NOT FORCE DIAL BACKWARDS.

**TO OMIT A DAY:** Remove both ON and OFF trippers from the dial for the day or days to be omitted.

**FOR MANUAL OPERATION OF CONTACTS:** Press down lever on right of nameplate to close circuit. Press down lever on left of nameplate to open it.



# TORK MODEL W220

## SEVEN DAY CALENDAR DIAL TIME SWITCH

**SWITCH:** DPDT

**CONTACT RATINGS:**

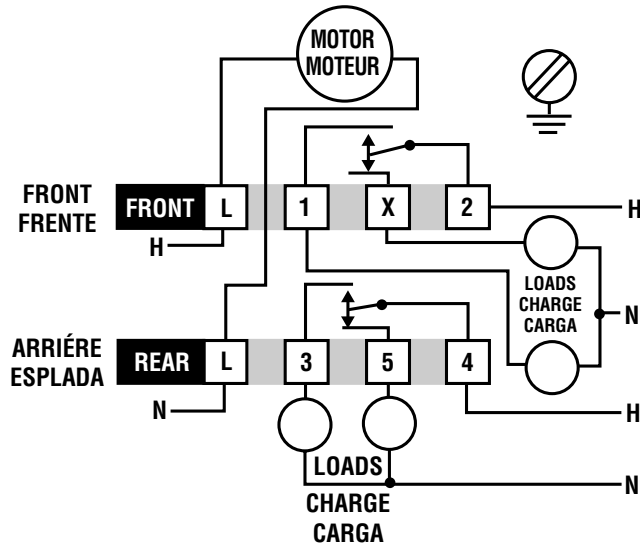
- 40 AMP TUNGSTEN 120VAC
- 40 AMP RESISTIVE
- 120-277VAC SINGLE PHASE
- 40 AMP GENERAL PURPOSE
- 120-277VAC SINGLE PHASE
- 20 AMP INDUCTIVE
- 120VAC, 277VAC
- SINGLE PHASE
- 1000VA PILOT DUTY
- 120-277VAC
- 2 HP (24 FLA) 120VAC;
- 5HP (28 FLA) 240VAC

**TIMING MOTOR :**

120VAC 60Hz

**POWER CONSUMPTION :**

3 WATTS MAX.



Typical connections for 120VAC.

Disconnect power at main panel prior to installing or servicing this time switch or the equipment connected to it.

Connect in accordance with national and local electrical codes.

Supply Connections: Use gauge specified (AWG # 8-14) suitable for 75 degrees C (167 degrees F)

### INSTALLATION AND OPERATING INSTRUCTIONS

**TO SET ON AND OFF TIMES:** ON trippers close circuits 1 and 3. OFF trippers close circuits X and 5. Dial is graduated in one hour intervals. There must be an ON and an OFF tripper for each day of the week operations are desired. Place tripper on dial edge as shown in diagram. Set point of each tripper at the desired operating time. Hold tripper securely against dial and tighten knurled screw firmly by hand. (Do not use pliers).

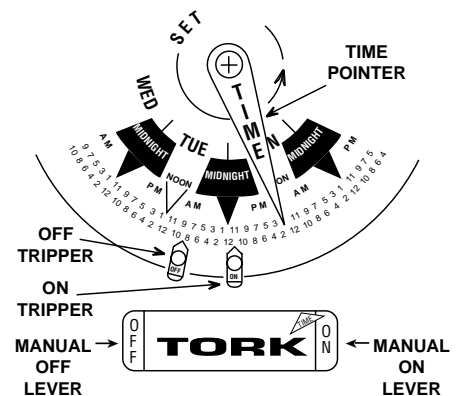
**NOTE:** *Trippers are inter-changeable. With the knurl screw inserted in the side marked ON, it will become an ON tripper. If the tripper is turned over and the screw inserted in the side marked OFF, it becomes an OFF tripper.*

Be certain to select the proper day and notice whether the selected time is AM or PM. Minimum ON time is 1 hour. Minimum OFF time is 2 hours. (There must be at least six hours between any two OFF trippers).

**TO SET DIAL TO TIME:** Turn dial COUNTER-CLOCKWISE until correct time of day and day of week is indicated by time pointer. For ACCURATE OPERATION, care must be used in setting dial to time. Each notch advances the dial approximately 15 minutes. DO NOT FORCE DIAL BACKWARDS.

**TO OMIT A DAY:** Remove both ON and OFF trippers from the dial for the day or days to be omitted.

**FOR MANUAL OPERATION OF CONTACTS:** Press down lever on right of nameplate to close circuit. Press down lever on left of nameplate to open it.



# TORK MODEL W220L

## SEVEN DAY CALENDAR DIAL TIME SWITCH

**SWITCH:** DPDT

**CONTACT RATINGS:**

- 40 AMP TUNGSTEN 120VAC
- 40 AMP RESISTIVE
- 120-277VAC SINGLE PHASE
- 40 AMP GENERAL PURPOSE
- 120-277VAC SINGLE PHASE
- 20 AMP INDUCTIVE
- 120VAC, 277VAC
- SINGLE PHASE
- 1000VA PILOT DUTY
- 120-277VAC
- 2 HP (24 FLA) 120VAC;
- 5HP (28 FLA) 240VAC

**TIMING MOTOR :**

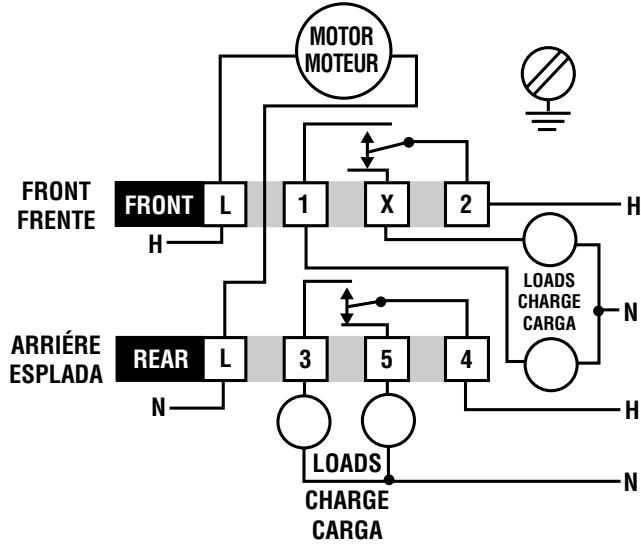
120VAC 60Hz

**POWER CONSUMPTION :**

3 WATTS MAX.

**SYNCHRONOUS POWER WITH RESERVE:**

Should your power supply be interrupted, this switch will continue to operate on time for several hours.



Typical connections for 120VAC.

Disconnect power at main panel prior to installing or servicing this time switch or the equipment connected to it.

Connect in accordance with national and local electrical codes.

Supply Connections: Use gauge specified (AWG # 8-14) suitable for 75 degrees C (167 degrees F)

### INSTALLATION AND OPERATING INSTRUCTIONS

**TO SET ON AND OFF TIMES:** ON trippers close circuits 1 and 3. OFF trippers close circuits X and 5. Dial is graduated in one hour intervals. There must be an ON and an OFF tripper for each day of the week operations are desired. Place tripper on dial edge as shown in diagram. Set point of each tripper at the desired operating time. Hold tripper securely against dial and tighten knurled screw firmly by hand. (Do not use pliers).

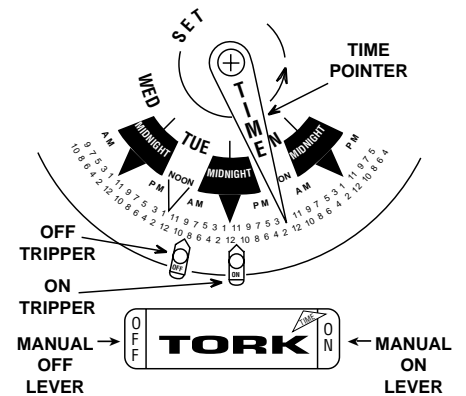
**NOTE:** *Trippers are inter-changeable. With the knurl screw inserted in the side marked ON, it will become an ON tripper. If the tripper is turned over and the screw inserted in the side marked OFF, it becomes an OFF tripper.*

Be certain to select the proper day and notice whether the selected time is AM or PM. Minimum ON time is 1 hour. Minimum OFF time is 2 hours. (There must be at least six hours between any two OFF trippers).

**TO SET DIAL TO TIME:** Turn dial COUNTER-CLOCKWISE until correct time of day and day of week is indicated by time pointer. For ACCURATE OPERATION, care must be used in setting dial to time. Each notch advances the dial approximately 15 minutes. DO NOT FORCE DIAL BACKWARDS.

**TO OMIT A DAY:** Remove both ON and OFF trippers from the dial for the day or days to be omitted.

**FOR MANUAL OPERATION OF CONTACTS:** Press down lever on right of nameplate to close circuit. Press down lever on left of nameplate to open it.



# TORK MODEL W222

## SEVEN DAY CALENDAR DIAL TIME SWITCH

**SWITCH:** DPDT

**CONTACT RATINGS:**

- 40 AMP TUNGSTEN 120VAC
- 40 AMP RESISTIVE
- 120-277VAC SINGLE PHASE
- 40 AMP GENERAL PURPOSE
- 120-277VAC SINGLE PHASE
- 20 AMP INDUCTIVE
- 120VAC, 277VAC
- SINGLE PHASE
- 1000VA PILOT DUTY
- 120-277VAC
- 2 HP (24 FLA) 120VAC;
- 5HP (28 FLA) 240VAC

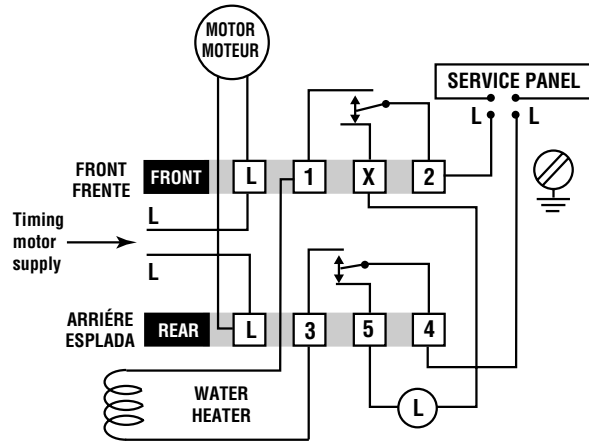
**TIMING MOTOR :**

208-277VAC 60Hz

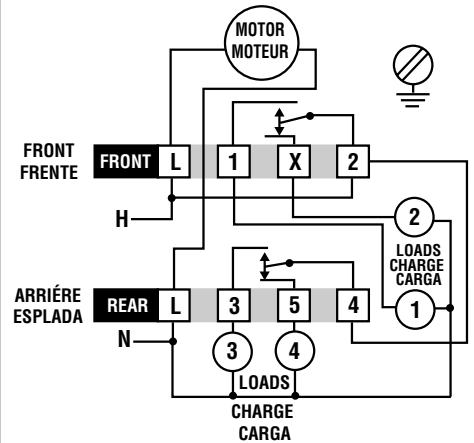
**POWER CONSUMPTION :**

3 WATTS MAX.

TIMING MOTOR SUPPLY CAN BE TAKEN BY JUMPER WIRE FROM TERM. L TO 2 (FRONT TERM.) & L TO 4 FROM BACK IF VOLTAGE IS THE SAME.



Typical for 207/240VAC supply.



Typical for 277VAC supply.

Disconnect power at main panel prior to installing or servicing this time switch or the equipment connected to it.

Connect in accordance with national and local electrical codes.

Supply Connections: Use gauge specified (AWG # 8-14) suitable for 75 degrees C (167 degrees F)

### INSTALLATION AND OPERATING INSTRUCTIONS

**TO SET ON AND OFF TIMES:** ON trippers close circuits 1 and 3. OFF trippers close circuits X and 5. Dial is graduated in one hour intervals. There must be an ON and an OFF tripper for each day of the week operations are desired. Place tripper on dial edge as shown in diagram. Set point of each tripper at the desired operating time. Hold tripper securely against dial and tighten knurled screw firmly by hand. (Do not use pliers).

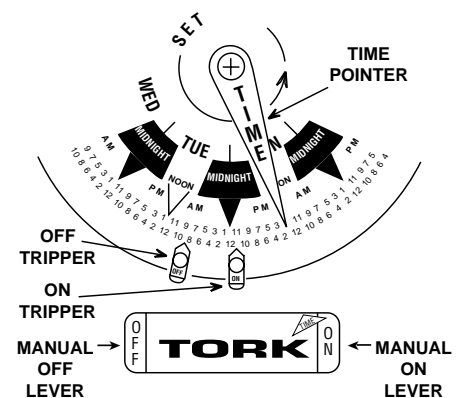
**NOTE:** Trippers are inter-changeable. With the knurl screw inserted in the side marked ON, it will become an ON tripper. If the tripper is turned over and the screw inserted in the side marked OFF, it becomes an OFF tripper.

Be certain to select the proper day and notice whether the selected time is AM or PM. Minimum ON time is 1 hour. Minimum OFF time is 2 hours. (There must be at least six hours between any two OFF trippers).

**TO SET DIAL TO TIME:** Turn dial COUNTER-CLOCKWISE until correct time of day and day of week is indicated by time pointer. For ACCURATE OPERATION, care must be used in setting dial to time. Each notch advances the dial approximately 15 minutes. DO NOT FORCE DIAL BACKWARDS.

**TO OMIT A DAY:** Remove both ON and OFF trippers from the dial for the day or days to be omitted.

**FOR MANUAL OPERATION OF CONTACTS:** Press down lever on right of nameplate to close circuit. Press down lever on left of nameplate to open it.



# TORK MODEL W300

## SEVEN DAY CALENDAR DIAL TIME SWITCH

**SWITCH:** 3PST

**CONTACT RATINGS:**

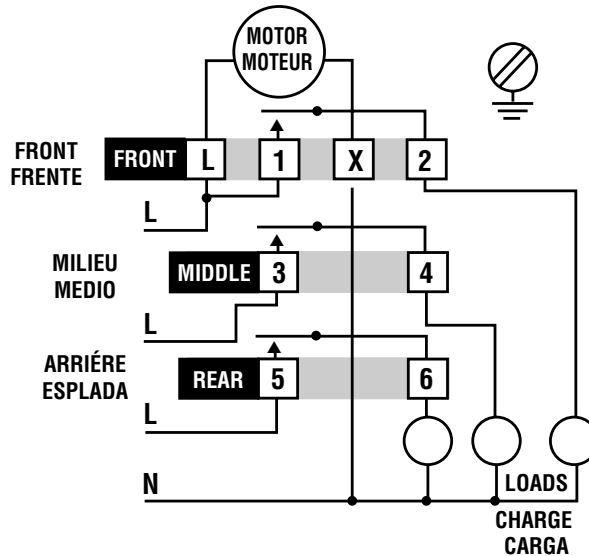
- 40 AMP TUNGSTEN 120VAC
- 40 AMP RESISTIVE
- 120-277VAC SINGLE PHASE
- 40 AMP GENERAL PURPOSE
- 120-277VAC SINGLE PHASE
- 20 AMP INDUCTIVE
- 120VAC, 277VAC
- SINGLE PHASE
- 1000VA PILOT DUTY
- 120-277VAC
- 2 HP (24 FLA) 120VAC;
- 5HP (28 FLA) 240VAC

**TIMING MOTOR :**

120VAC 60Hz

**POWER CONSUMPTION :**

3 WATTS MAX.



For use with 3 phase 4-wire 120/208VAC systems.

Disconnect power at main panel prior to installing or servicing this time switch or the equipment connected to it.

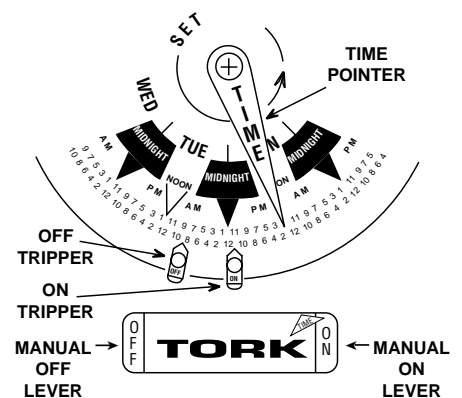
Connect in accordance with national and local electrical codes.

Supply Connections: Use gauge specified (AWG # 8-14) suitable for 75 degrees C (167 degrees F)

### INSTALLATION AND OPERATING INSTRUCTIONS

**TO SET ON AND OFF TIMES:** ON and OFF trippers close and open all circuits simultaneously. Dial is graduated in one hour intervals. There must be an ON and an OFF tripper for each day of the week operations are desired. Place tripper on dial edge as shown in diagram. Set point of each tripper at the desired operating time. Hold tripper securely against dial and tighten knurled screw firmly by hand. (Do not use pliers).

**NOTE:** *Trippers are inter-changeable. With the knurl screw inserted in the side marked ON, it will become an ON tripper. If the tripper is turned over and the screw inserted in the side marked OFF, it becomes an OFF tripper.*



Be certain to select the proper day and notice whether the selected time is AM or PM. Minimum ON time is 1 hour. Minimum OFF time is 2 hours. (There must be at least six hours between any two OFF trippers).

**TO SET DIAL TO TIME:** Turn dial COUNTER-CLOCKWISE until correct time of day and day of week is indicated by time pointer. For ACCURATE OPERATION, care must be used in setting dial to time. Each notch advances the dial approximately 15 minutes. DO NOT FORCE DIAL BACKWARDS.

**TO OMIT A DAY:** Remove both ON and OFF trippers from the dial for the day or days to be omitted.

**FOR MANUAL OPERATION OF CONTACTS:** Press down lever on right of nameplate to close circuit. Press down lever on left of nameplate to open it.

# TORK MODEL W302

## SEVEN DAY CALENDAR DIAL TIME SWITCH

**SWITCH:** 3PST

**CONTACT RATINGS:**

- 40 AMP TUNGSTEN 120VAC
- 40 AMP RESISTIVE
- 120-277VAC SINGLE PHASE
- 40 AMP GENERAL PURPOSE
- 120-277VAC SINGLE PHASE
- 20 AMP INDUCTIVE
- 120VAC, 277VAC
- SINGLE PHASE
- 1000VA PILOT DUTY
- 120-277VAC
- 2 HP (24 FLA) 120VAC;
- 5HP (28 FLA) 240VAC

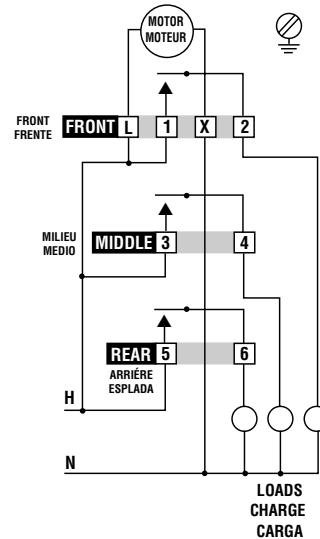
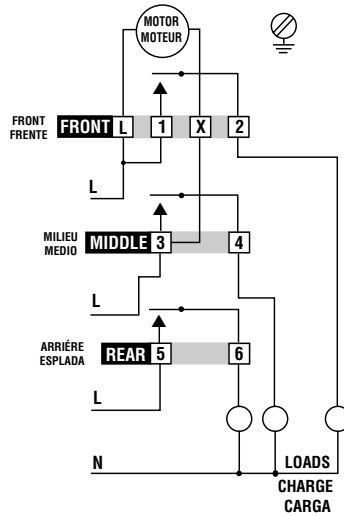
**TIMING MOTOR :**

208-277VAC 60Hz

**POWER CONSUMPTION :**

3 WATTS MAX.

For use with 3 phase 4-wire 120/208V systems.



Typical connections for 277VAC supply.

Disconnect power at main panel prior to installing or servicing this time switch or the equipment connected to it.

Connect in accordance with national and local electrical codes.

Supply Connections: Use gauge specified (AWG # 8-14) suitable for 75 degrees C (167 degrees F)

### INSTALLATION AND OPERATING INSTRUCTIONS

**TO SET ON AND OFF TIMES:** ON and OFF trippers close and open all circuits simultaneously. Dial is graduated in one hour intervals. There must be an ON and an OFF tripper for each day of the week operations are desired. Place tripper on dial edge as shown in diagram. Set point of each tripper at the desired operating time. Hold tripper securely against dial and tighten knurled screw firmly by hand. (Do not use pliers).

**NOTE:** *Trippers are inter-changeable. With the knurl screw inserted in the side marked ON, it will become an ON tripper. If the tripper is turned over and the screw inserted in the side marked OFF, it becomes an OFF tripper.*

Be certain to select the proper day and notice whether the selected time is AM or PM. Minimum ON time is 1 hour. Minimum OFF time is 2 hours. (There must be at least six hours between any two OFF trippers).

**TO SET DIAL TO TIME:** Turn dial COUNTER-CLOCKWISE until correct time of day and day of week is indicated by time pointer. For ACCURATE OPERATION, care must be used in setting dial to time. Each notch advances the dial approximately 15 minutes. DO NOT FORCE DIAL BACKWARDS.

**TO OMIT A DAY:** Remove both ON and OFF trippers from the dial for the day or days to be omitted.

**FOR MANUAL OPERATION OF CONTACTS:** Press down lever on right of nameplate to close circuit. Press down lever on left of nameplate to open it.

