

TORK

Lighting Delay Switch

Model: LDS, LDS-A

INSTALLATION AND USER'S GUIDE

FUNCTION & DESCRIPTION

The Lighting Delay Switch is an accessory to any TORK maintained contact time switch and is used to extend the lighting time after the main time switch turns OFF a lighting circuit. An approximate 1/2 second blink will occur as a warning that the lighting will go OFF in (user selectable) 1 or 5 minute warning period.

Remote momentary ON/OFF push button switches can be connected to the designated terminal of the Lighting Delay Switch using low voltage # 18 - 22 AWG twisted pair wires. Pressing the remote ON button momentarily during the 1 or 5 minute warning period (before the lights go out) will extend the time ON for a user selectable 1/2 hour, 1 hour, 1-1/2 hour, 2 hours, 6 hours, 9 hours, or 12 hours. At the end of the extended time a warning blink will again occur, allowing personnel to repeat another 1/2 - 12 hour extension if necessary. Pressing the remote OFF button for 3 to 4 seconds will terminate the extension of time, and initiate the warning blink. The lights will turn OFF after the 1 or 5 minute warning period.

When starting up after a power failure (if time switch is not ON), lighting will be turned ON for 10 minutes. At the end of the 10 minute period a warning blink will occur. The lights will remain ON for the 1 or 5 minute warning period. If an extension of time is required, press the remote ON button momentarily.

This unit is ideally suited to meet Energy Conservation construction codes relative to controlled lighting after hours and assures lighting will go OFF after personnel (i.e. cleaning-staff working after hours) leave the building.

NOTE:

1. Multiple remote momentary push buttons may be wired to the same terminals for access from different locations.
 2. The Lighting Delay Switch can be operated as a stand alone control using remote ON/OFF momentary push-buttons.
 3. If time of day control is also required, see wiring diagram for time switch interface.
- A. Pressing the remote ON momentary push-button while the time switch is ON will start the internal timer of the Lighting Delay Switch, but will have no immediate impact on the load output (lights). When the time switch turns OFF, the load will remain on for the duration left on the LDS.
- B. Pressing the remote OFF push button for 3 to 4 seconds while the time switch is ON will terminate the internal timer of the Lighting Delay Switch, but will have no impact on the load output (lights remain on). When the time switch turns OFF, the load will turn OFF after the warning period.

SETTING & WIRING DIAGRAM

Step 1:

Model LDS only. Remove the unit from the plastic track. Mount the plastic track with provided hardware only. Do not use other hardware. Snap the unit back into the track.

Step 2:

Before wiring, power to this unit, the time switch, and the equipment it controls must be turned off at the main panel. Wire the unit according to the appropriate wiring diagrams provided. Be sure to follow local and all other codes.

Step 3:

Set all switches #1, 2, 3, and 4 to the ON position for test. This will accelerate the complete opera-

tion of the unit to under 1 minute, allowing a check of the wiring and the functions.

Step 4:

Set the extended time delay for the main load to the appropriate time by adjusting switch #1, 2, and 3. See table for desired timing.

Step 5:

Set the warning period for 1 or 5 minutes using switch # 4. See table for desired timing.

Step 6:

Remote ON/OFF momentary push buttons can be connected at the remote input terminal between C & ON to activate extended time, and C & OFF to disable extended time.

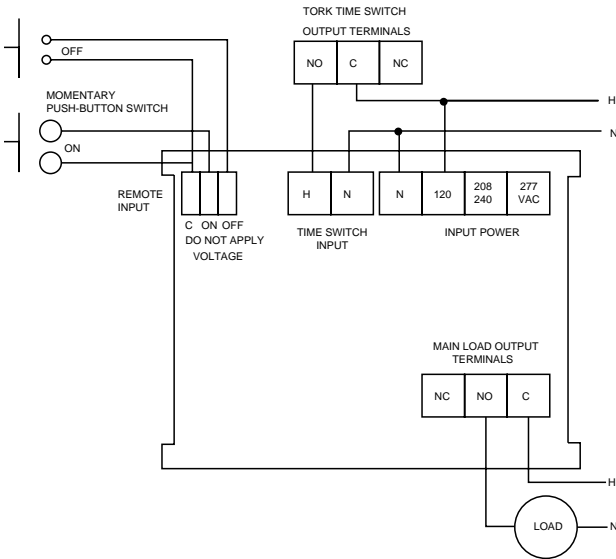
SWITCH CONFIGURATION

TIME SET	1	2	3	4
1/2 HR	OFF	OFF	OFF	*
1 HR	OFF	OFF	ON	*
1-1/2 HR	OFF	ON	OFF	*
2 HR	OFF	ON	ON	*
6 HR	ON	OFF	OFF	*
9 HR	ON	OFF	ON	*
12 HR	ON	ON	OFF	*
TEST	ON	ON	ON	ON

*Switch 4 (ON) – 5 Minute Warning Period

*Switch 4 (OFF) – 1 Minute Warning Period

WIRING DIAGRAMS



CAUTION: Turn power off at main circuit prior to installation or when servicing this unit.

Important Note:

When the Lighting Delay Switch is first activated –

- If the time switch is set to ON, the lighting will remain ON.
- If the time switch is set to OFF, the lighting will turn ON for 10 minutes. At the end of the 10 minute period, the warning blink will occur. The lighting will remain ON for the 1 or 5 minute warning period. If an extension of time is required, press the remote ON button momentarily, the lighting will remain on for an additional 1/2 - 12 hour extension of time.

TORK[®]

MLI-137(A) 1 GROVE STREET, MT. VERNON, NY 10550 TEL: 914-664-3542
FAX: 914-664-5052