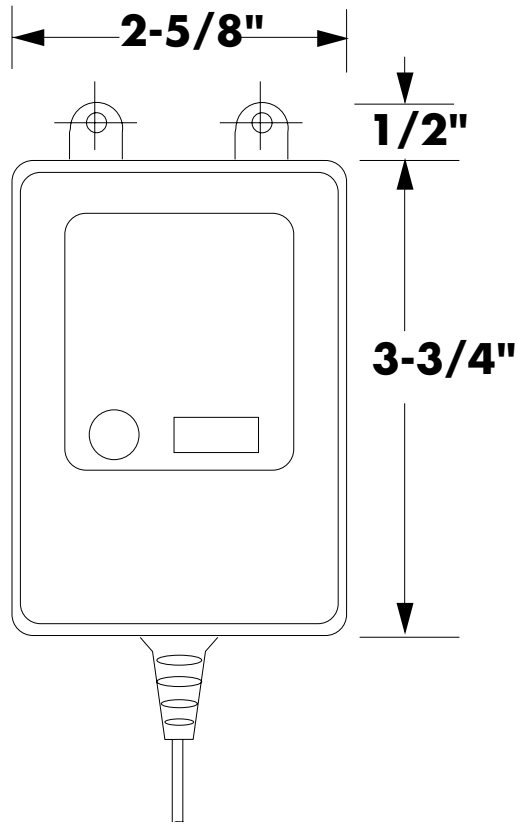
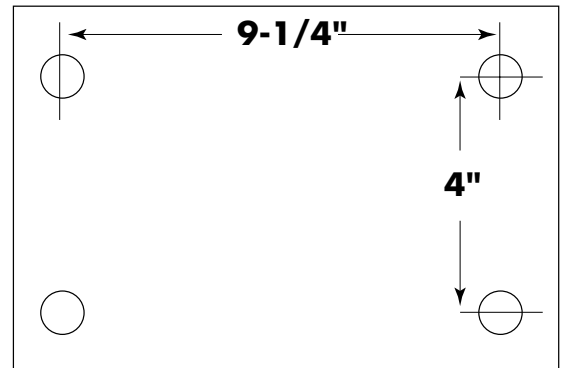
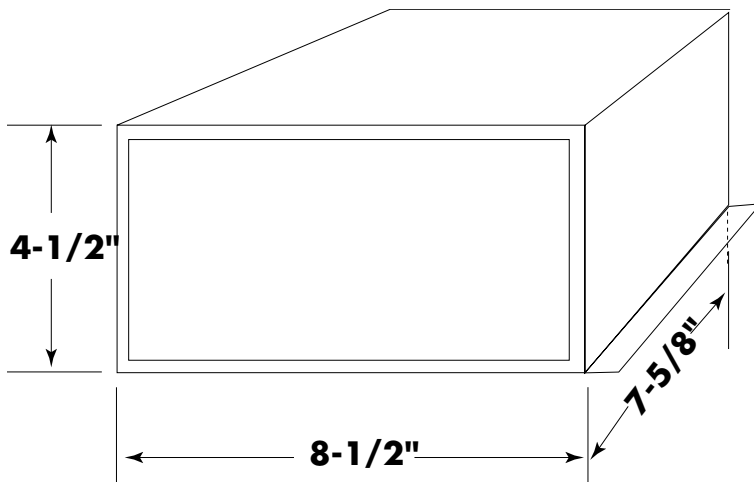


# TA606, TA640: 24 VDC POWER SUPPLIES DIMENSIONS

## TA606



## TA640



**MOUNTING HOLES IN BASE**