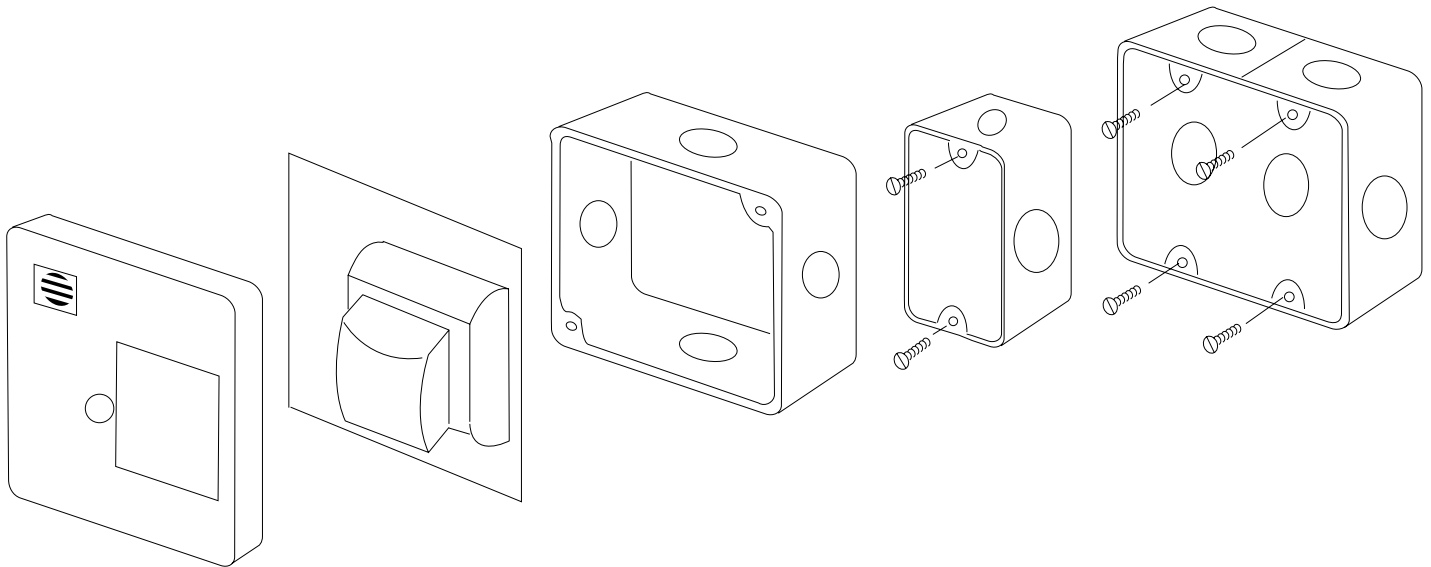


# TA5521D-UAD: A.D.A. STROBE HORN DIMENSIONS/MOUNTING

## DIMENSIONS

- 4 3/4" H X 4 3/8" D



## MOUNTING

- Can be mounted on 1 gang, 2 gang or 4" square box