

TRU·CLOSE® REGULAR DUTY SELF-CLOSING HINGES



APPLICATION

TruClose® hinges are designed so the residential homeowner can quickly and easily adjust tension to support a 375lbs gate load and self-closes up to a 55lb gate, for the ultimate safety around pools and other areas **requiring self-closing gates**. Hinges are rust-free and are self-lubricating.

COMMON FEATURES

- » Super-strong unique engineering polymer and stainless steel components
- » Internal, tension adjustable spring – no dangerous external spring
- » Supports a 375lbs gate load and self-closes up to a 55lb gate

TCA1-MK2 TCA1RP-MK2 TRU·CLOSE®

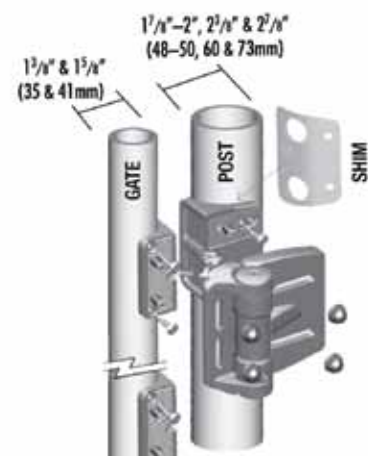
- » Fits metal gates

TCA3-MK2 TCA3RP-MK2 TRU·CLOSE®

- » Fits vinyl and wooden gates

TCAMA2RND TRU·CLOSE® MULTI-ADJUSTABLE, FOR ROUND POSTS

- » Fits up to 2" (50mm) gate gaps (see diagram)
- » Ideal for chain-link fences with round gate frames and round posts



CATALOG NO.	UPC CODE	DESCRIPTION	MATERIAL	PCS./CTN	PACKAGING
TCA1RP-MK2	98018	TruClose® Regular Range Gate Hinge	Metal	2	Retail
TCA1-MK2	98026	TruClose® Regular Range Gate Hinge	Metal	2	Wholesale
TCA3RP-MK2	98019	TruClose® Regular Range Gate Hinge	Vinyl, Wood	2	Retail
TCA3-MK2	98027	TruClose® Regular Range Gate Hinge	Vinyl, Wood	2	Wholesale
TCAMA2RND	98024	TruClose® Regular Range Gate Hinge, adjustable gap	Round frames	2	Wholesale