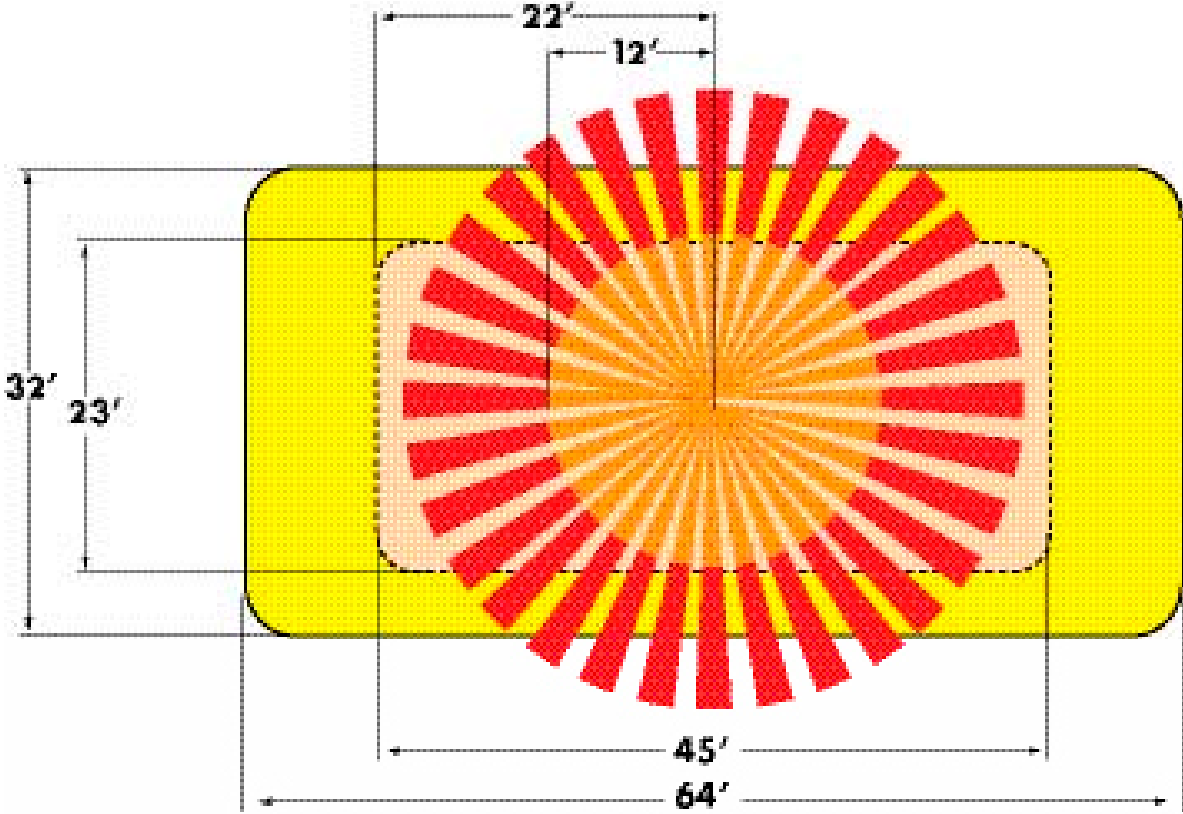


# PSC20: DUAL TECH PIR/ULTRASONIC SENSOR TYPICAL AREA COVERAGE



**PSC20**