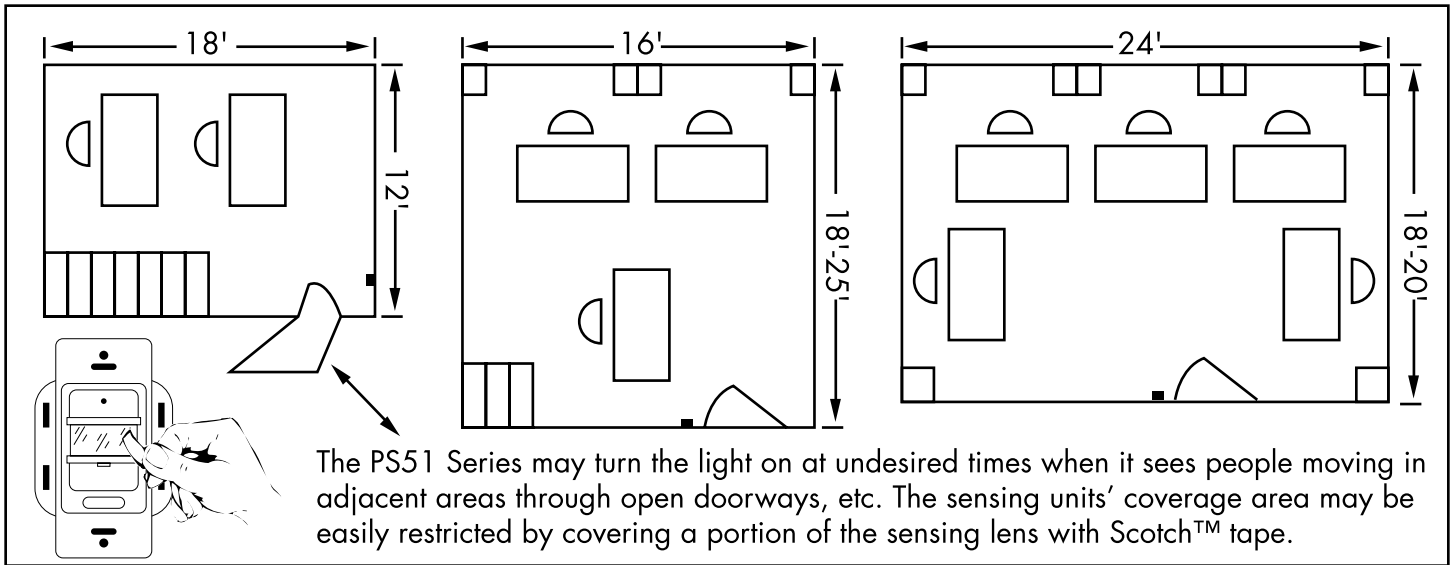
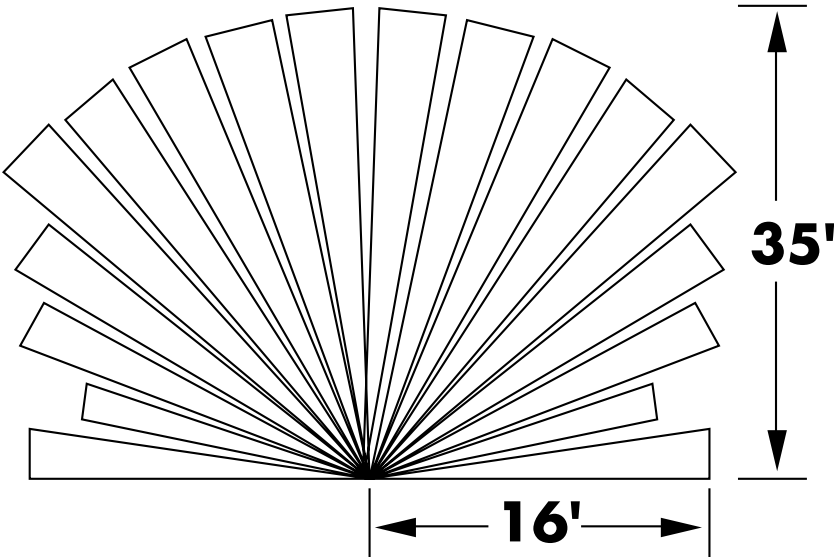


PS51 D SERIES: PIR IN-LINE WALL SWITCH TYPICAL OCCUPANCY SENSING PATTERNS

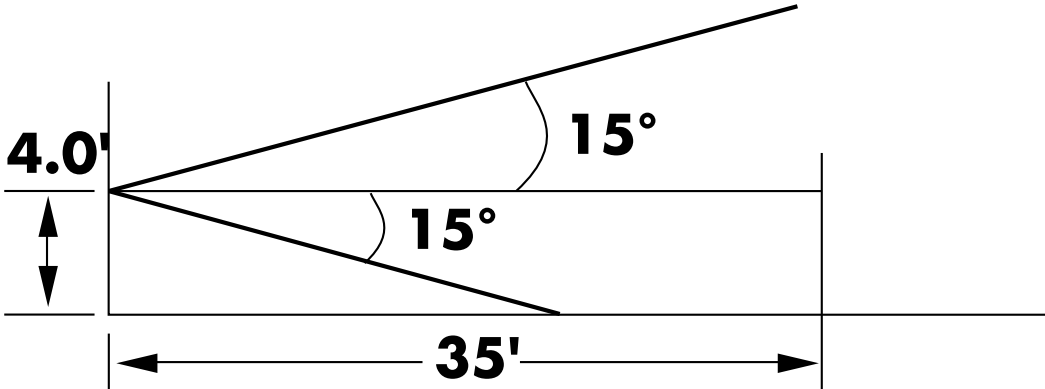


PS51D SERIES: PIR IN-LINE WALL SWITCH AREA COVERAGE

Top and Side Coverage Pattern Diagrams

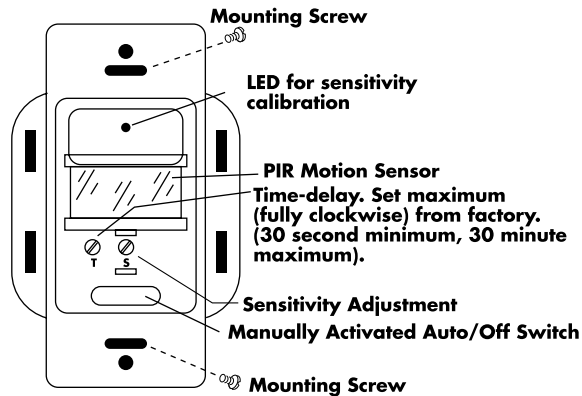


180° Coverage

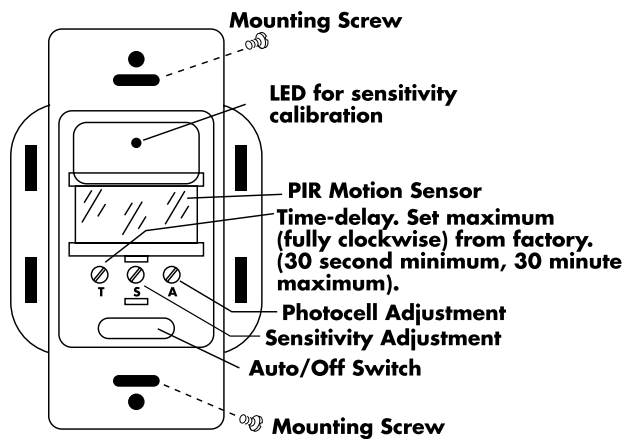


PS51D SERIES: PIR IN-LINE WALL SWITCH UNIT CONTROLS & ADJUSTMENTS

PS51DPM



PS51DP



PS51D-120, -277

