

REFERENCE:



BKS100R

HPS Ballast Kit



BALLAST TYPE	HIGH PRESSURE SODIUM
LAMP	100W S54
CIRCUIT TYPE	R-NPF
INPUT FREQ.	60Hz

SPECIFICATIONS

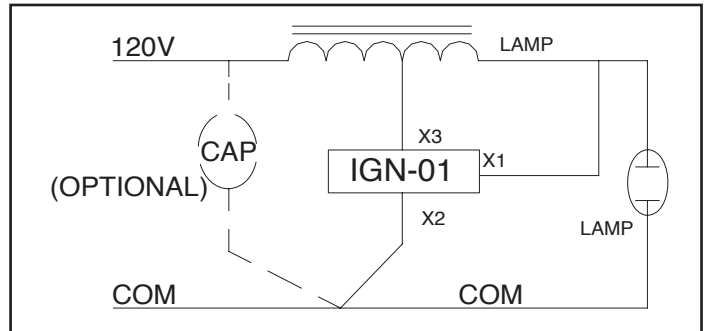
INPUT VOLTAGE	120		
OPERATING CURRENT	3.1		
OPEN CIRCUIT CURRENT	3.41		
STARTING CURRENT	1.8		
CCF (*ANSI ≤ 1.8)	3.41		
SHORT CIRCUIT CURRENT	SECONDARY	3.2	
	INPUT	3.41	
RECOMMENDED FUSE	10		
INPUT VOLTAGE AT LAMP DROPOUT			
UL 1029 BENCH TOP RISE	A		
OCV (Min.)		110	
INPUT POWER		115W	
POWER FACTOR		0.3-0.5	
REGULATION	LINE VOLTS	±5%	
	LAMP WATTS	±10%	
INSULATION SYSTEM		CLASS H, 180°C	
BALLAST DIMENSION	A	1.42"	
	B	2.7"	
BALLAST NET WEIGHT		2.5 LBS	
COIL MATERIAL (Pri./Sec.)		Cu	
LEADS		12" CROSS LINK POLYOLEFIN	

CAPACITOR (REQUIRED)	
CAPACITANCE	
MINIMUM VOLTS	
DRY	DIAMETER
	HEIGHT
CASE MAX. TEMPERATURE	

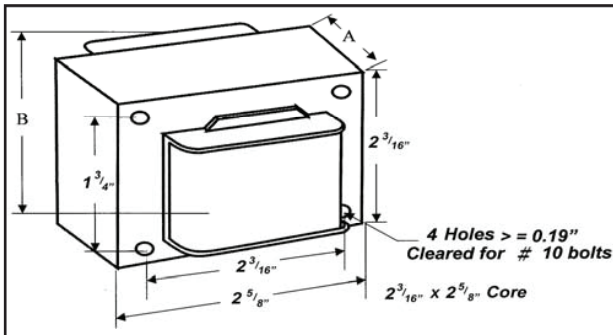
IGNITOR (REQUIRED)	
IGNITOR MODEL	IGN-01
PULSE HEIGHT (kV)	2.5-4.0
Pulse Width (≥ u S)	1 us @ 2250V

MIN. STARTING TEMP	-20°F / -30°C
--------------------	---------------

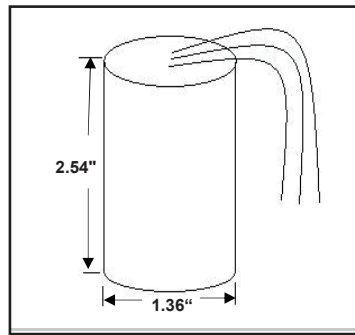
WIRING DIAGRAM



DIMENSIONS



BALLAST



IGNITOR

The compliance of our products to individual project specifications and approval for their use, is not warranted by NSi Lighting Products. Specification sheets and photometric data are provided as a guideline for applications information. Final consideration of any given application must take into consideration knowledge of the specific installation environment.

Questions call NSi Lighting Products at 1-800-321-5847