

REFERENCE:



BKM 1 000Q

MH Ballast Kit



BALLAST TYPE	METAL HALIDE
LAMP	1000W M47
CIRCUIT TYPE	CWA
INPUT FREQ.	60Hz

SPECIFICATIONS

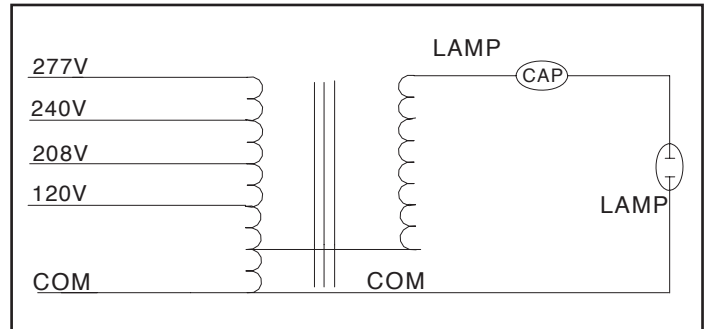
INPUT VOLTAGE	120	208	240	277	
OPERATING CURRENT	9.0	5.2	4.5	3.9	
OPEN CIRCUIT CURRENT	5.6	3.3	2.8	2.5	
STARTING CURRENT	5.7	5.7	5.7	5.7	
CCF (*ANSI ≤ 1.8)	1.8	1.8	1.8	1.8	
SHORT CIRCUIT CURRENT	SECONDARY	5.7	5.7	5.7	5.7
	INPUT	8.5	4.8	4.3	3.6
RECOMMENDED FUSE	20	15	10	10	
INPUT VOLTAGE AT LAMP DROPOUT					
UL 1029 BENCH TOP RISE	D	B	B	B	
OCV (Min.)	440				
INPUT POWER	1080W				
POWER FACTOR	$\geq 90\%$				
REGULATION	LINE VOLTS	$\pm 10\%$			
	LAMP WATTS	$\pm 10\%$			
INSULATION SYSTEM	CLASS H, 180°C				
BALLAST DIMENSION	A	2.84"			
	B	4.81"			
BALLAST NET WEIGHT	17.8 LBS				
COIL MATERIAL (Pri./Sec.)	Al/Al				
LEADS	12" CROSS LINK POLYOLEFIN				

CAPACITOR (REQUIRED)		
CAPACITANCE	24 μ F $\pm 3\%$	
MINIMUM VOLTS	480V	
DRY	DIAMETER	2.87"
	HEIGHT	5.3"
CASE MAX. TEMPERATURE	100°	

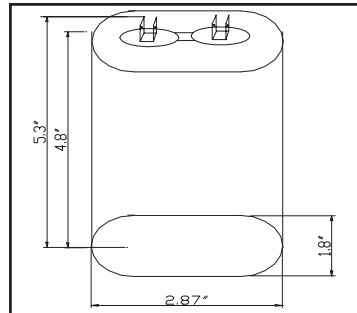
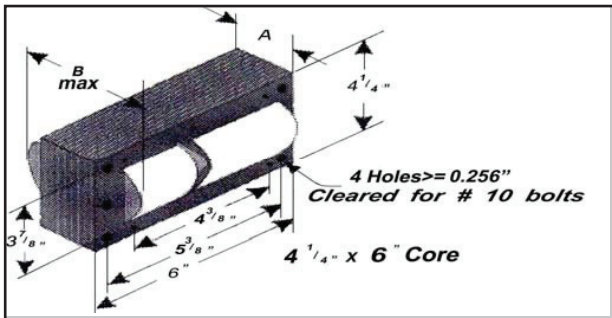
IGNITOR (REQUIRED)	
IGNITOR MODEL	
PULSE HEIGHT (kV)	
Pulse Width ($\geq \mu$ S)	

MIN. STARTING TEMP	-20°F / -30°C
--------------------	---------------

WIRING DIAGRAM



DIMENSIONS



BALLAST

CAPACITOR

The compliance of our products to individual project specifications and approval for their use, is not warranted by NSi Lighting Products. Specification sheets and photometric data are provided as a guideline for applications information. Final consideration of any given application must take into consideration knowledge of the specific installation environment.

Questions call NSi Lighting Products at 1-800-321-5847