

TORK

CEILING MOUNT ULTRASONIC OCCUPANCY SENSORS

OSCW5P
OSCW15P



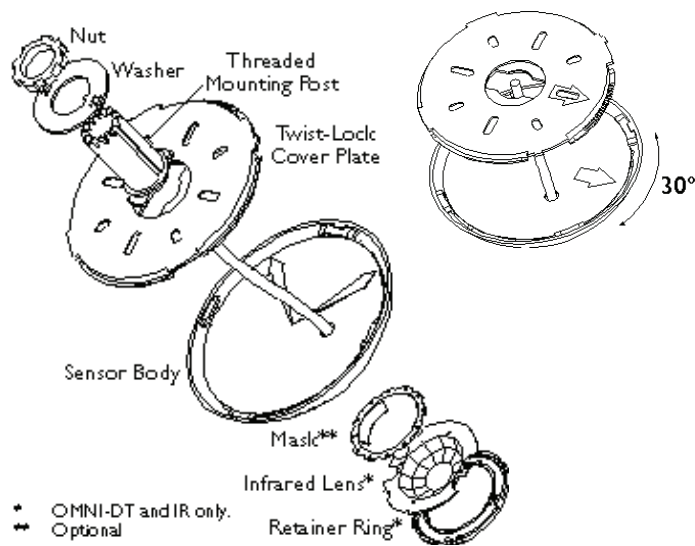
COVERAGE

OSCW5P = 500 sq. ft.
OSCW15P = 1000 sq. ft.

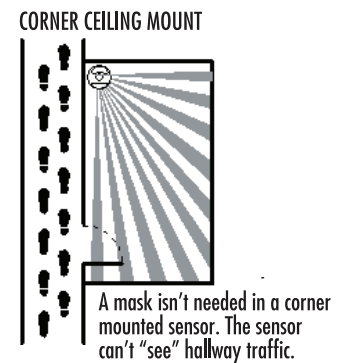
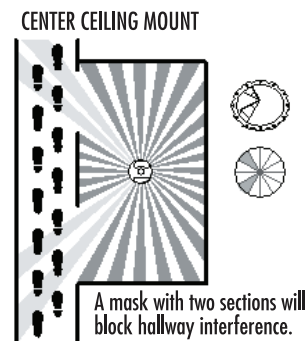
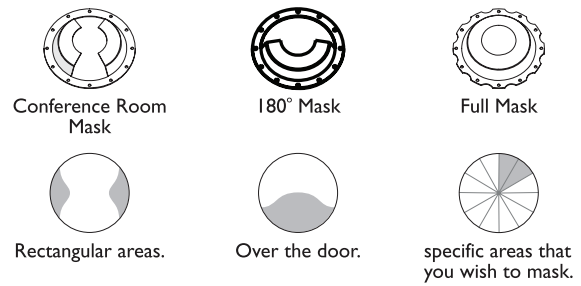
INSTALLATION AND SETUP INSTRUCTIONS

COMPONENTS

Match arrows to twist and lock. Cover plate allows for 30° adjustment.



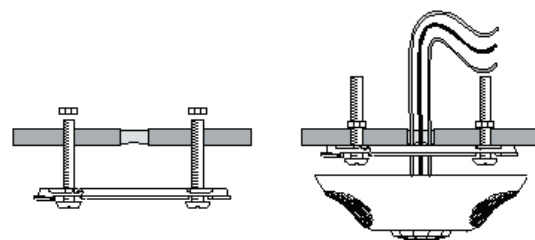
USING THE INFRARED MASK



INSTALLATION: MOUNTING METHODS

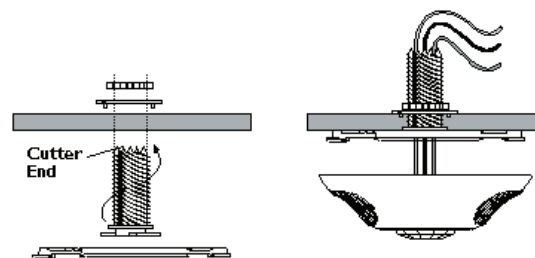
MOUNTING METHOD 1

Screw and mount twist-lock cover plate.



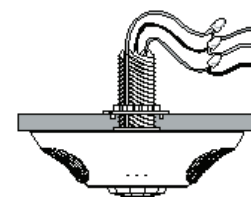
MOUNTING METHOD 2

Twist and lock threaded mounting post into cover plate. Drill into ceiling tile.



MOUNTING METHOD 3

Run wiring through ceiling tile. Attach sensor body to cover plate by aligning arrows and twist locking into place. Connect wiring with wire nuts.



L1-776(A) PAGE 1 OF 2
TORK, INC.
888.500.4598 • www.tork.com

A DIVISION OF **NSI** NSI INDUSTRIES, LLC

NSi Industries, LLC
TORK PRODUCT LABEL
p/n **OSCW5P, OSCW15P**
(L1-776(A) PAGE 1 of 2)
8.5 x 11
1C/0

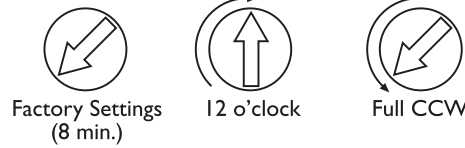
TORK

CEILING MOUNT ULTRASONIC OCCUPANCY SENSORS



TIMER TEST MODE (8 SECONDS)

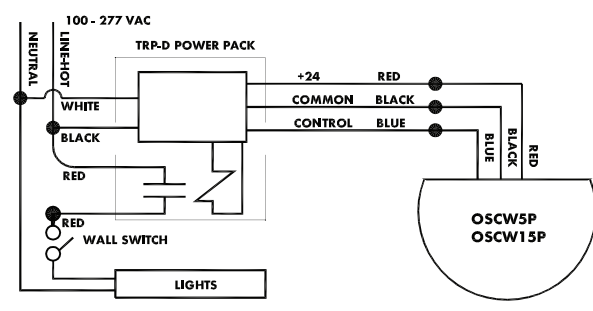
- 1) Open the retainer ring.
- 2) Rotate the black timer adjustment knob to about midway (12 o'clock)
- 3) Return setting to minimum setting (full CCW).
NOTE: The timer will remain in the 8 second test mode for 1 hour, then automatically reset to 8 minutes.
- 4) To manually take the timer out of the 8 second test mode, turn the timer adjustment approximately 1/16" clockwise to make the setting slightly above minimum (just above the 8 minute setting).



WIRE LENGTH CHART

# Sensors # Slaves	1 0	2 0	3 0	1 1	2 1	1 2
22 AWG	750'	375'	250'	375'	250'	250'
20 AWG	1200'	600'	400'	600'	400'	400'
18 AWG	2400'	1200'	800'	1200'	800'	800'

WIRING

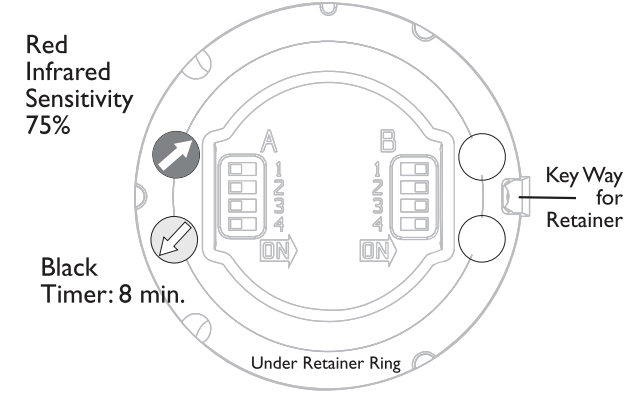


TROUBLESHOOTING

PROBLEM	POSSIBLE CAUSE	TEST	RESULT
Lights stay on	Air conditioning interference	Reduce green knob by 15%	Move sensor, temporarily reduce sensitivity
Lights stay off	Bad low voltage wiring	Connect red to blue wire at power pack	Force lights on
Lights stay off	Bad high voltage wiring	Connect red to red (relay wires)	Force lights on
Lights on too long	Timer setting too high	Check switch settings	Typical setting is 8 minutes
Hallway traffic turns lights on	Sensor can "see" into hallway	Put in timer test mode and walk hallway	Move sensor

FACTORY SETTINGS

Model Series: OSCW
Motion Indicator: Only Ultrasonic Green



Recommendation: Leave sensitivity setting as shipped.

OVERRIDE SETTINGS

<p>Auto/Manual Threshold</p> <p>LED Motion Indicator</p> <p>Reset learned Settings</p>	<p>Bank A</p>	<p>Off</p> <p>Automatic (Normal)</p> <p>Not in use</p> <p>Lights indicate motion</p> <p>Retain Settings (Normal)</p>	<p>On</p> <p>Manual On (Override)</p> <p>Not in use</p> <p>Disable LED Indicator</p> <p>Erase All Learned Settings, Restart Learning (Toggle on)</p>
<p>Strong Airflow Compensation Over Doorway Installation</p> <p>Timer Adjust</p> <p>Auto Sensitivity</p>	<p>Bank B</p>	<p>Off</p> <p>Disable Compensation (Normal)</p> <p>Not in use</p> <p>Adjust Timer Automatically</p> <p>Adjust Timer Automatically</p>	<p>On</p> <p>Enable Compensation</p> <p>Not in use</p> <p>Use Manual Timer Setting (No adjustment)</p> <p>Adjust Timer Manually</p>