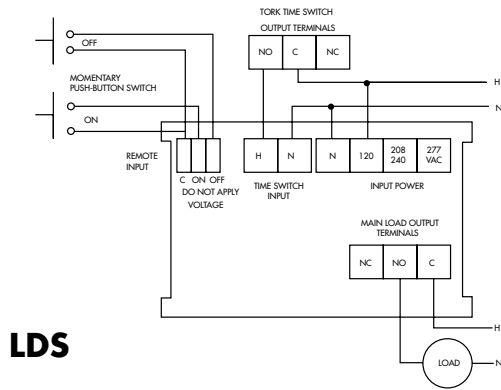


LD SERIES: LIGHTING REACTIVATION SWITCHES

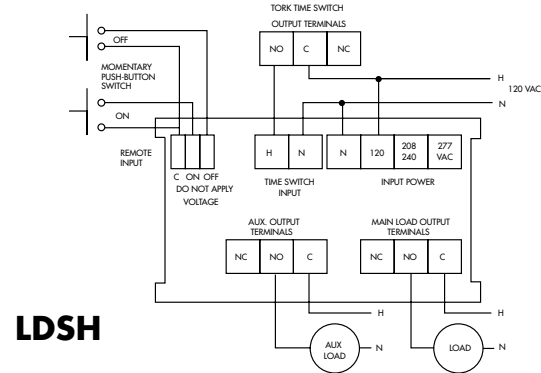
MORE INFORMATION

LD SERIES		CONTACT RATINGS	
TYPE	VOLTAGE	RATING	
		NO	NC
Ballast	120VAC	20A	10A
	208-277VAC	10A	3A
Tungsten	120-277VAC	5A	3A
General Purpose	24-240VAC	20A	10A
	277VAC	12A	6A
Pilot Duty	120-240VAC	470VA	275VA
	277VAC	690VA	
Resistive	28VDC	20A	10A

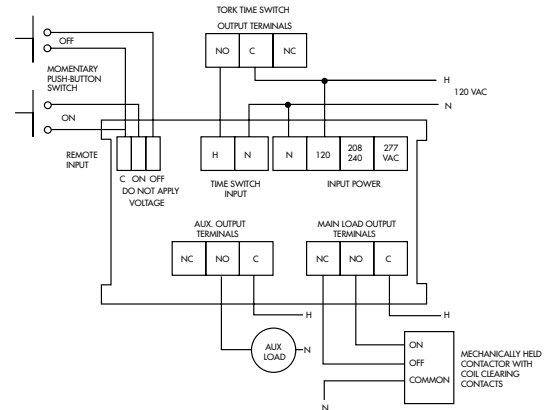
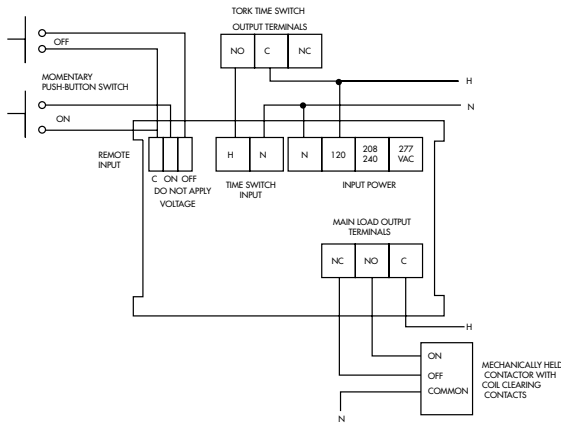
LD SERIES: LIGHTING REACTIVATION SWITCHES WIRING DIAGRAM



LDS



LDSH



FIGURES 1 AND 2

APPLICATION EXAMPLE:

Lighting for a high school's tennis courts turns on during normal class hours when natural light diminishes using a 7 day time switch and photocell. After 3pm, staff members sometimes use the courts (the time switch is then off). A momentary pushbutton activates the LDSH for timed override of HID lighting. Five minutes before the lights go out, an auxiliary contact flashes an incandescent warning beacon (HID lighting can not be made to blink). Additional timed override can be arranged for via the momentary pushbutton.

