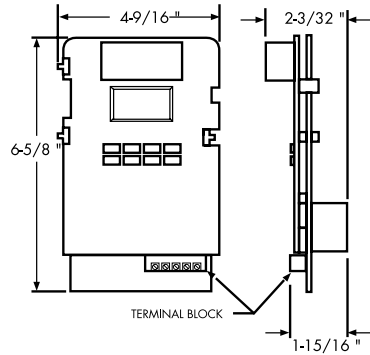


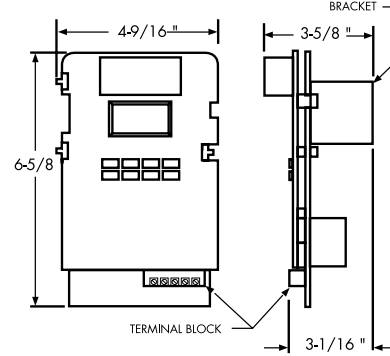
# DIGITAL CONTROLS MECHANISM DIMENSIONS

## DG SERIES

MECHANISM ONLY

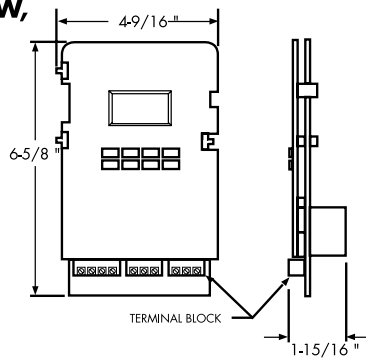


MECHANISM & BRACKET

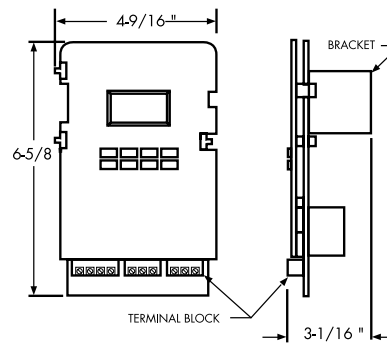


## DZS, DTS, DZM, DW, DWZ SERIES

MECHANISM ONLY

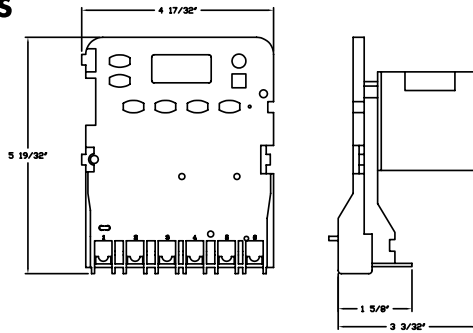


MECHANISM & BRACKET



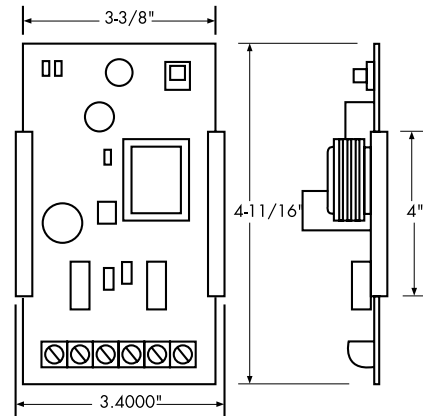
## E, EWZ, EH SERIES

MECHANISM & BRACKET



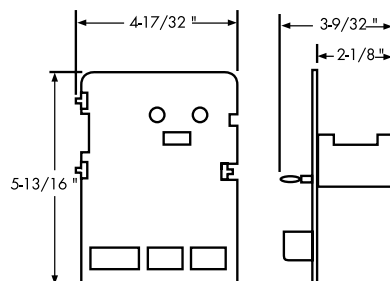
## SMC-3D

MECHANISM & BRACKET



## LC200M

MECHANISM & BRACKET



## LDS LDSH

MECHANISM & BRACKET

