

DG SERIES: 1 CHANNEL MULTIPURPOSE CONTROLS PRODUCT DETAILS & INFORMATION

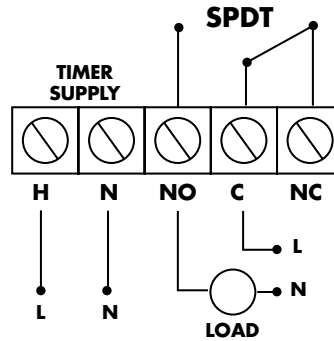
DG 100, DG180				CONTACT RATINGS			
LOAD TYPE	UL				CSA		
		NO	NC			NO	NC
Resistive or Inductive	120/240VAC†	20A	10A	General Purpose	125VAC	15A	15A
	277VAC††	6A	3A		240VAC	10A	10A
Resistive Pilot Duty	28VDC†	20A	10A	Resistive Pilot Duty	28VDC†	20A	10A
	120/240VAC†† 277VAC	470VA 690VA	275VA		120/240VAC 277VAC	470VA 690VA	275VA
Motor Load	120VAC	1HP	¼HP	Motor Load	120VAC	½HP	¼HP
	240VAC	2HP	½HP		240VAC	1HP	½HP
Ballast	277VAC††	6A	3A				

DG 120, DGM100				CONTACT RATINGS			
LOAD TYPE	UL				CSA		
		NO	NC			NO	NC
Resistive or Inductive	120/240VAC	15A	10A	General Purpose	125VAC	10A	10A
	28VDC	15A	10A		28VDC	10A	10A
Resistive Pilot Duty	120/240VAC	470VA	275VA	Resistive Pilot Duty	120/240VAC	470VA	275VA
	277VAC	690VA			277VAC	690VA	
Motor Load	120VAC	1HP	¼HP	Motor Load	120VAC	½HP	¼HP
	240VAC	2HP	½HP		240VAC	1HP	½HP

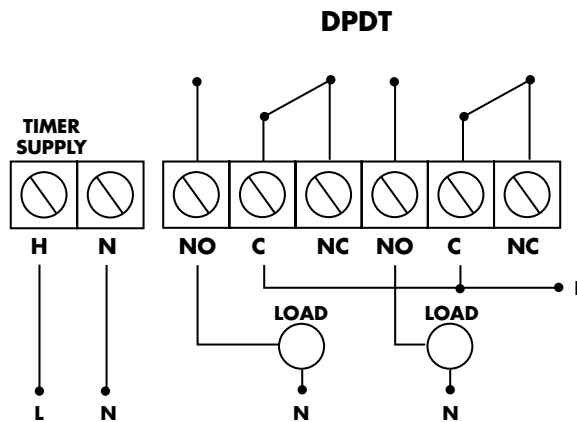
† Model DG120 is 15A
 †† Does not apply to Model DG120

DG SERIES: 1 CHANNEL MULTIPURPOSE CONTROLS WIRING DIAGRAMS

DG100, DG180



DG120



DGM100

