

# DGLC SERIES: OUTDOOR LIGHTING CONTROLLER W/ SENSOR INPUT PRODUCT DETAILS & INFORMATION



**PHOTOSENSOR  
MODEL EPC1  
SUPPLIED WITH  
EACH UNIT**

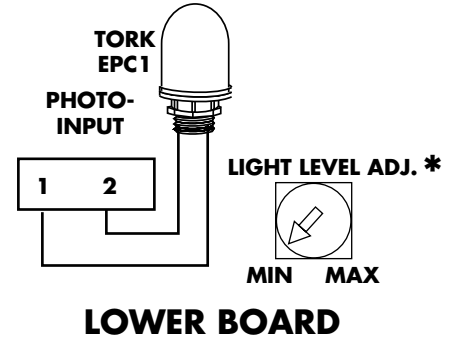
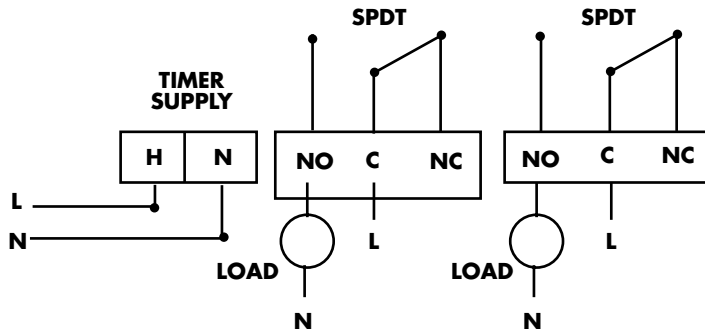
Capable of different schedules each day of the week.

**ON AND OFF SET POINTS:**

minimum setting is one minute.

DGLC SERIES		CONTACT RATINGS	
TYPE	VOLTAGE	NO	NC
Resistive or Inductive	120/240VAC	15A	10A
Resistive	28VDC	15A	10A
Ballast	120/240/277VAC	6A	3A
Pilot Duty	120/240VAC	470VA	275VA
	277VAC	690VA	

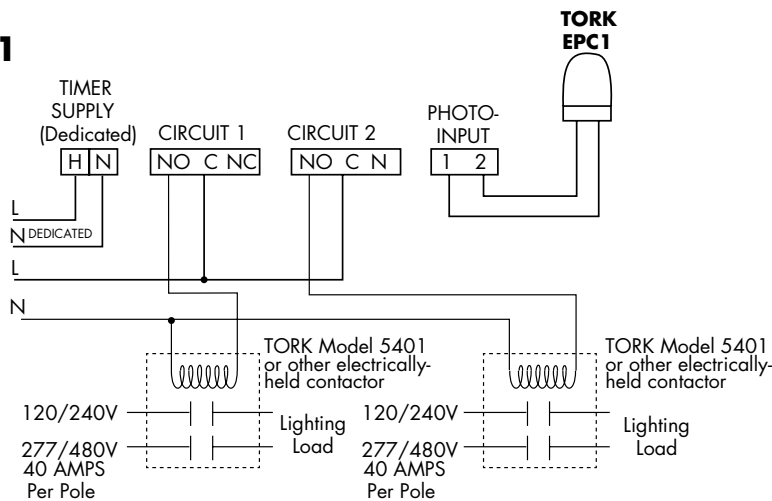
# DGLC SERIES: OUTDOOR LIGHTING CONTROLLER W/ SENSOR INPUT WIRING DIAGRAMS



\* ON RELAY WILL CLOSE AS FOLLOWS:

MIN POSITION: 1 OR TWO FOOTCANDLES  
MAX POSITION: 100 FOOTCANDLES

**FIG. 1**

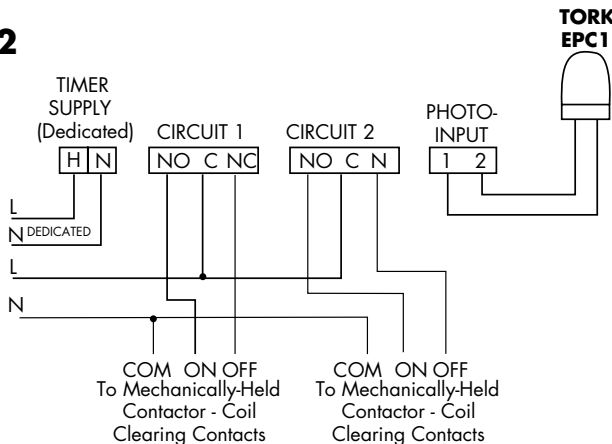


## TYPICAL APPLICATIONS

**FIGURE 1 FOR WIRING TO ELECTRICALLY-HELD CONTRACTOR**

**FIGURE 1 AND 2 ONE CIRCUIT CAN BE USED TO CONTROL ELECTRICALLY-HELD CONTRACTOR WHILE THE OTHER CIRCUIT CONTROLS A MECHANICALLY-HELD CONTRACTOR**

**FIG. 2**



**FIGURE 2 FOR COIL CLEARING MECHANICALLY-HELD CONTRACTOR**

NOTE: an ON event must be set prior to sunset in order for Circuit 1 to turn on automatically at dusk.

### FIGURE 1 AND 2

#### CIRCUIT 1 OPERATION PROVIDED

- photo ON/time OFF or
- photo ON/time OFF/time ON/photo OFF

#### CIRCUIT 2 OPERATION PROVIDED

- photo ON/photo OFF