

**REFERENCE:**



**BKM250Q**

MH Ballast Kit



<b>BALLAST TYPE</b>	METAL HALIDE
<b>LAMP</b>	250W M58
<b>CIRCUIT TYPE</b>	CWA
<b>INPUT FREQ.</b>	60Hz

**SPECIFICATIONS**

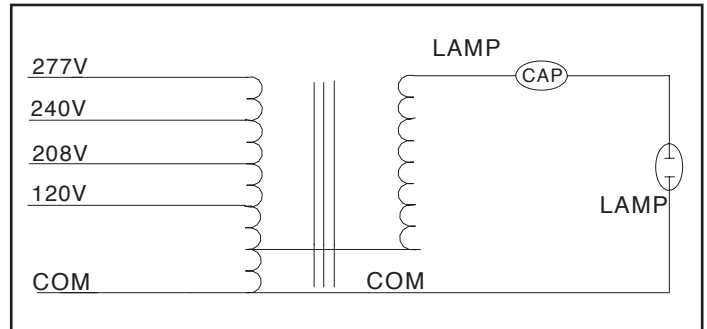
INPUT VOLTAGE		120	208	240	277
OPERATING CURRENT		2.5	1.4	1.3	1.1
OPEN CIRCUIT CURRENT		2.1	1.2	1.0	0.9
STARTING CURRENT		2.5	2.5	2.5	2.5
CCF (*ANSI ≤ 1.8)		1.8	1.8	1.8	1.8
SHORT CIRCUIT CURRENT	SECONDARY	2.5	2.5	2.5	2.5
	INPUT	2.7	1.7	1.4	1.2
RECOMMENDED FUSE		8	5	5	3
INPUT VOLTAGE AT LAMP DROPOUT					
UL 1029 BENCH TOP RISE		A	A	B	A
OCV (Min.)		270			
INPUT POWER		295W			
POWER FACTOR		≥90%			
REGULATION	LINE VOLTS	±10%			
	LAMP WATTS	±10%			
INSULATION SYSTEM		CLASS H, 180°C			
BALLAST DIMENSION	A	1.5"			
	B	3.47"			
BALLAST NET WEIGHT		8.1 LBS			
COIL MATERIAL (Pri./Sec.)		Al/Al			
LEADS		12" CROSS LINK POLYOLEFIN			

CAPACITOR (REQUIRED)		
CAPACITANCE	15uF±3%	
MINIMUM VOLTS	400V	
DRY	DIAMETER	1.56"
	HEIGHT	3.06"
CASE MAX. TEMPERATURE		100°C

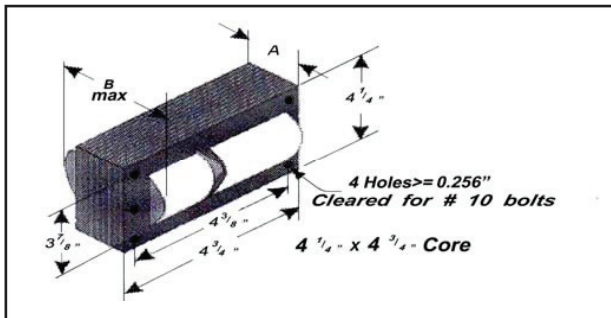
IGNITOR (REQUIRED)	
IGNITOR MODEL	
PULSE HEIGHT (kV)	
Pulse Width (≥ u S)	

MIN. STARTING TEMP	-20°F / -30°C
--------------------	---------------

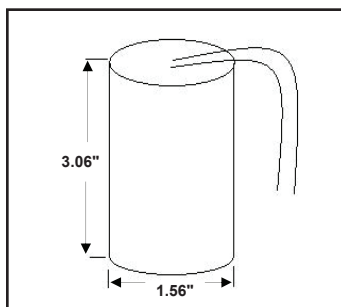
**WIRING DIAGRAM**



**DIMENSIONS**



**BALLAST**



**CAPACITOR**

The compliance of our products to individual project specifications and approval for their use, is not warranted by NSi Lighting Products. Specification sheets and photometric data are provided as a guideline for applications information. Final consideration of any given application must take into consideration knowledge of the specific installation environment.

**Questions call NSi Lighting Products at 1-800-321-5847**