

TORK MODEL 8001 DUTY CYCLE TIMER

SWITCH: SPDT

CONTACT RATINGS:

20 AMP 120/240VAC

3/4HP 120VAC;

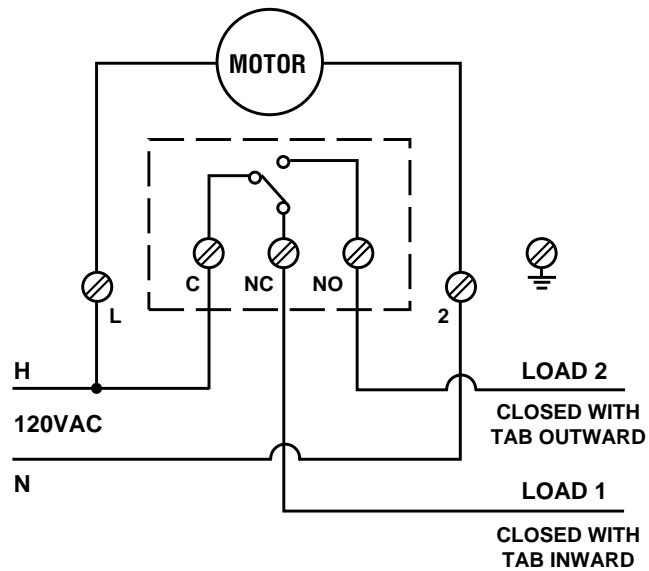
1-1/2HP 240VAC

TIMING MOTOR:

120VAC 60Hz

POWER CONSUMPTION:

3 WATTS MAX.



Disconnect power at main panel prior to installing or servicing this time switch or the equipment connected to it.

Connect in accordance with national and local electrical codes.

Supply Connections: Use gauge specified (AWG # 8-14) suitable for 75 degrees C (167 degrees F)

INSTALLATION AND OPERATING INSTRUCTIONS

TO SET OPERATING TIMES: Each dial tab represents approximately 15 minutes. These tabs can be tilted in and out with the fingers.

FOR OFF OPERATION: Tilt tabs outward as illustrated in figure 1. Tilt out one tab for each fifteen minute period. This closes load 2 and opens load 1.

FOR ON OPERATION: Tilt tabs inward toward center of dial, as illustrated in figure 2. This closes load 1 and opens load 2.

TO SET DIAL TO TIME: Turn dial counter-clockwise until correct time is indicated by arrow on nameplate. Be sure to check whether time set is A.M. or P.M.

TO REMOVE MECHANISM FROM CASE: Press lever near case latch to release mainplate and swing the movement out. To replace, insert mainplate projections in slots opposite latch and swing movement in until it latches.

Fig. 1



Fig. 2



TORK MODEL 8001U DUTY CYCLE TIMER

SWITCH: SPDT

CONTACT RATINGS:

5 AMP 480VAC

TIMING MOTOR:

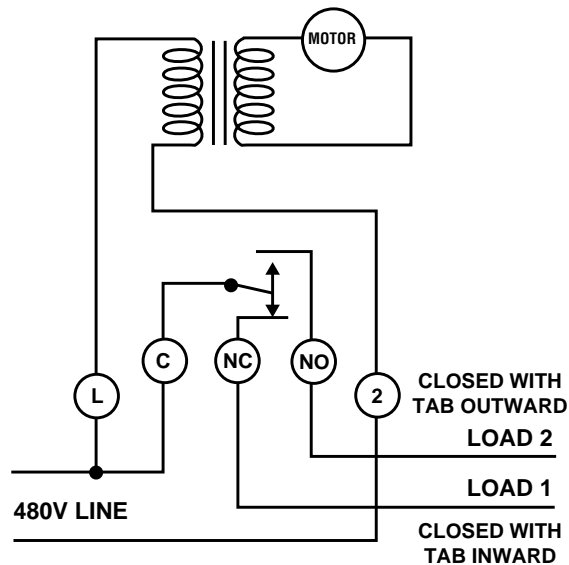
120VAC 60Hz

TRANSFORMER:

480VAC/120VAC

POWER CONSUMPTION:

3 WATTS MAX.



Disconnect power at main panel prior to installing or servicing this time switch or the equipment connected to it.

Connect in accordance with national and local electrical codes.

Supply Connections: Use gauge specified (AWG # 8-14) suitable for 75 degrees C (167 degrees F)

INSTALLATION AND OPERATING INSTRUCTIONS

TO SET OPERATING TIMES: Each dial tab represents approximately 15 minutes. These tabs can be tilted in and out with the fingers.

FOR OFF OPERATION: Tilt tabs outward as illustrated in figure 1. Tilt out one tab for each fifteen minute period. This closes load 2 and opens load 1.

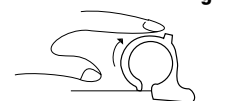


Fig. 1

FOR ON OPERATION: Tilt tabs inward toward center of dial, as illustrated in figure 2. This closes load 1 and opens load 2.

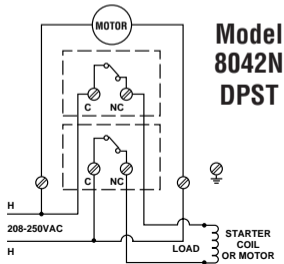
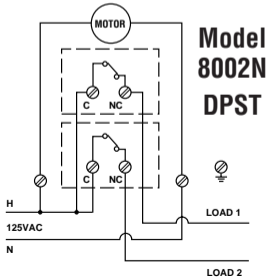
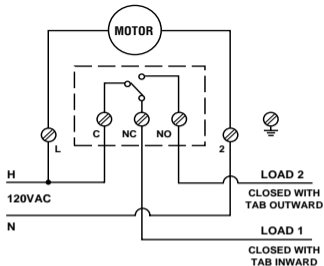


Fig. 2

TO SET DIAL TO TIME: Turn dial counter-clockwise until correct time is indicated by arrow on nameplate. Be sure to check whether time set is A.M. or P.M.

TO REMOVE MECHANISM FROM CASE: Press lever near case latch to release mainplate and swing the movement out. To replace, insert mainplate projections in slots opposite latch and swing movement in until it latches.

ALL SPDT MODELS



TORK MODEL 8004 DUTY CYCLE TIMER

SWITCH: SPDT

CONTACT RATINGS:

20 AMP 120/240VAC

3/4HP 120VAC;

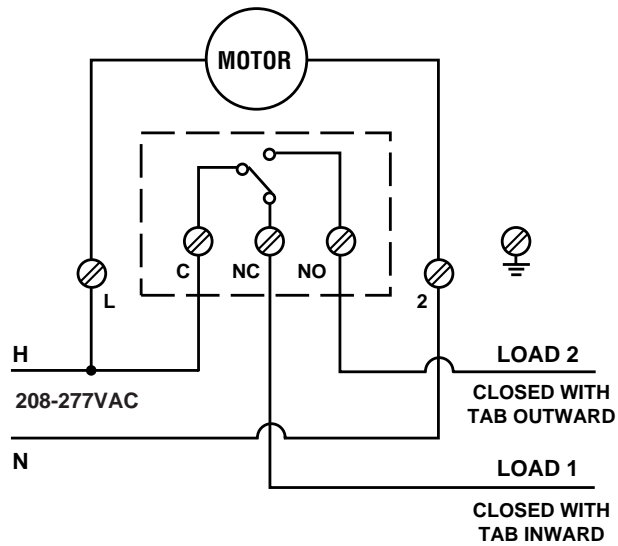
1-1/2HP 240VAC

TIMING MOTOR:

208-277VAC 60Hz

POWER CONSUMPTION:

3 WATTS MAX.



Disconnect power at main panel prior to installing or servicing this time switch or the equipment connected to it.

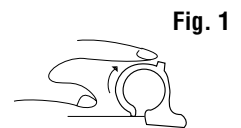
Connect in accordance with national and local electrical codes.

Supply Connections: Use gauge specified (AWG # 8-14) suitable for 75 degrees C (167 degrees F)

INSTALLATION AND OPERATING INSTRUCTIONS

TO SET OPERATING TIMES: Each dial tab represents approximately 15 minutes. These tabs can be tilted in and out with the fingers.

FOR OFF OPERATION: Tilt tabs outward as illustrated in figure 1. Tilt out one tab for each fifteen minute period. This closes load 2 and opens load 1.



FOR ON OPERATION: Tilt tabs inward toward center of dial, as illustrated in figure 2. This closes load 1 and opens load 2.



TO SET DIAL TO TIME: Turn dial counter-clockwise until correct time is indicated by arrow on nameplate. Be sure to check whether time set is A.M. or P.M.

TO REMOVE MECHANISM FROM CASE: Press lever near case latch to release mainplate and swing the movement out. To replace, insert mainplate projections in slots opposite latch and swing movement in until it latches.

TORK MODEL 8007 DUTY CYCLE TIMER WITH OMITTING DEVICE

SWITCH: SPDT

CONTACT RATINGS:

20 AMP 120/240VAC

3/4HP 120VAC;

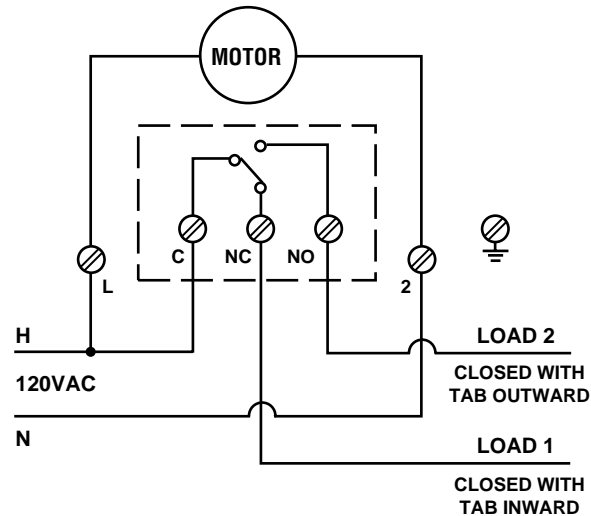
1-1/2HP 240VAC

TIMING MOTOR:

120VAC 60Hz

POWER CONSUMPTION:

3 WATTS MAX.



Disconnect power at main panel prior to installing or servicing this time switch or the equipment connected to it.

Connect in accordance with national and local electrical codes.

Supply Connections: Use gauge specified (AWG # 8-14) suitable for 75 degrees C (167 degrees F)

INSTALLATION AND OPERATING INSTRUCTIONS

TO SET OPERATING TIMES: Each dial tab represents approximately 15 minutes. These tabs can be tilted in and out with the fingers.

FOR OFF OPERATION: Tilt tabs outward as illustrated in figure 1. Tilt out one tab for each fifteen minute period. This closes load 2 and opens load 1.

FOR ON OPERATION: Tilt tabs inward toward center of dial, as illustrated in figure 2. This closes load 1 and opens load 2.

TO SET DIAL TO TIME: Turn dial counter-clockwise until correct time is indicated by arrow on nameplate. Be sure to check whether time set is A.M. or P.M.

TO OMIT OPERATIONS: 7 spoke wheel at lower right of 24 hour dial moves ahead once each day at about 2:00 A.M. Insert brass knurled screw in appropriate spokes on days when load 1 should remain open (load 2 remains closed). **CAUTION:** Do not attempt to insert screw in spoke while it is pointing to the copper colored arrow. If necessary, turn seven spoke wheel, then insert screw.

TO SET OMITTING WHEEL TO CORRECT DAY: If setting is being made later than 2:00 A.M. turn omitting wheel **CLOCKWISE** until present day of week is indicated by copper arrow. (Between midnight and 2:00 A.M., setting must be made to day just ended at midnight.)

TO REMOVE MECHANISM FROM CASE: Press lever near case latch to release mainplate and swing the movement out. To replace, insert mainplate projections in slots opposite latch and swing movement in until it latches.

Fig. 1



Fig. 2



TORK MODEL 8007V DUTY CYCLE TIMER

SWITCH: SPDT

CONTACT RATINGS:

20 AMP 120/240VAC

3/4HP 120VAC;

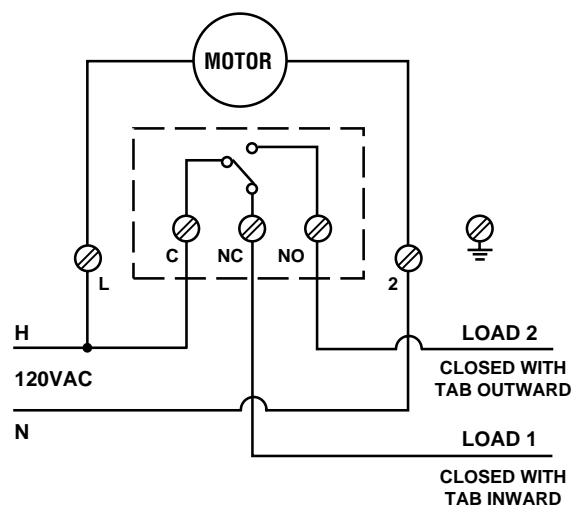
1-1/2HP 240VAC

TIMING MOTOR:

120VAC 60Hz

POWER CONSUMPTION:

3 WATTS MAX.



Disconnect power at main panel prior to installing or servicing this time switch or the equipment connected to it.

Connect in accordance with national and local electrical codes.

Supply Connections: Use gauge specified (AWG # 8-14) suitable for 75 degrees C (167 degrees F)

TO ALTERNATE CIRCUITS ONCE EACH WEEK, leave all dial tabs in ON position and turn 7 consecutive omitting screws down and leave the other 7 turned out.

TO SET OPERATING TIMES: Each dial tab represents approximately 15 minutes. These tabs can be tilted in and out with the fingers.

FOR OFF OPERATION: Tilt tabs out-ward as illustrated in figure 1. Tilt out one tab for each fifteen minute period. This closes load 2 and opens load 1.

FOR ON OPERATION: Tilt tabs inward toward center of dial, as illustrated in figure 2. This closes load 1 and opens load 2.

TO SET TO TIME OF DAY: Turn dial counter-clockwise until the correct time of day is indicated by the arrow in center of 24 hour dial. Be sure to check whether time set is A.M. or P.M.

TO SELECT DAY OR DAYS OF THE WEEK FOR OPERATION: 14 spoke calendar wheel at lower right of dial rotates one revolution per 2 weeks. For day no ON operation is to occur (Load #2 remains energized), simply turn down the brass knurled screws of the appropriate spokes. CAUTION: Do not attempt to turn down screw in spoke while it is pointing to the black arrow. If necessary, turn 14 spoke wheel, then turn down screw.

TO SET 14 SPOKE WHEEL TO CORRECT DAY:

1. Turn dial counter-clockwise until special tab at 12:00 P.M. advances 14 spoke wheel.
2. Turn 14 spoke wheel by hand until spoke, indicating present day of week is pointing to black arrow (in operation, present day is always in this position).
3. Reset dial to correct time of day.

Fig. 1



Fig. 2



TORK MODEL 8008 DUTY CYCLE TIMER WITH OMITTING DEVICE

SWITCH: SPDT

CONTACT RATINGS:

20 AMP 120/240VAC

3/4HP 120VAC;

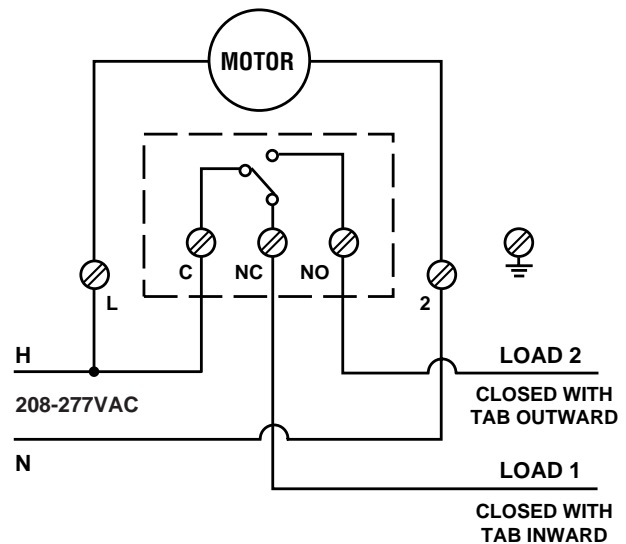
1-1/2HP 240VAC

TIMING MOTOR:

208-277VAC 60Hz

POWER CONSUMPTION:

3 WATTS MAX.



Disconnect power at main panel prior to installing or servicing this time switch or the equipment connected to it.

Connect in accordance with national and local electrical codes.

Supply Connections: Use gauge specified (AWG # 8-14) suitable for 75 degrees C (167 degrees F)

INSTALLATION AND OPERATING INSTRUCTIONS

TO SET OPERATING TIMES: Each dial tab represents approximately 15 minutes. These tabs can be tilted in and out with the fingers.

FOR OFF OPERATION: Tilt tabs outward as illustrated in figure 1. Tilt out one tab for each fifteen minute period. This closes load 2 and opens load 1.

FOR ON OPERATION: Tilt tabs inward toward center of dial, as illustrated in figure 2. This closes load 1 and opens load 2.

TO SET DIAL TO TIME: Turn dial counter-clockwise until correct time is indicated by arrow on nameplate. Be sure to check whether time set is A.M. or P.M.

TO OMIT OPERATIONS: 7 spoke wheel at lower right of 24 hour dial moves ahead once each day at about 2:00 A.M. Insert brass knurled screw in appropriate spokes on days when load 1 should remain open (load 2 remains closed). CAUTION: Do not attempt to insert screw in spoke while it is pointing to the copper colored arrow. If necessary, turn seven spoke wheel, then insert screw.

TO SET OMITTING WHEEL TO CORRECT DAY: If setting is being made later than 2:00 A.M. turn omitting wheel CLOCKWISE until present day of week is indicated by copper arrow. (Between midnight and 2:00 A.M., setting must be made to day just ended at midnight.)

TO REMOVE MECHANISM FROM CASE: Press lever near case latch to release mainplate and swing the movement out. To replace, insert mainplate projections in slots opposite latch and swing movement in until it latches.

Fig. 1

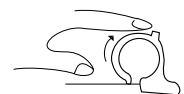


Fig. 2



TORK®

1 GROVE STREET, MT. VERNON, NY 10550 TEL: 914-664-3542

FAX: 914-664-5052

TORK MODEL 8011 1 MINUTE REPEATING TIMER

SWITCH: SPDT

CONTACT RATINGS:

20 AMP 120/240VAC

3/4HP 120VAC;

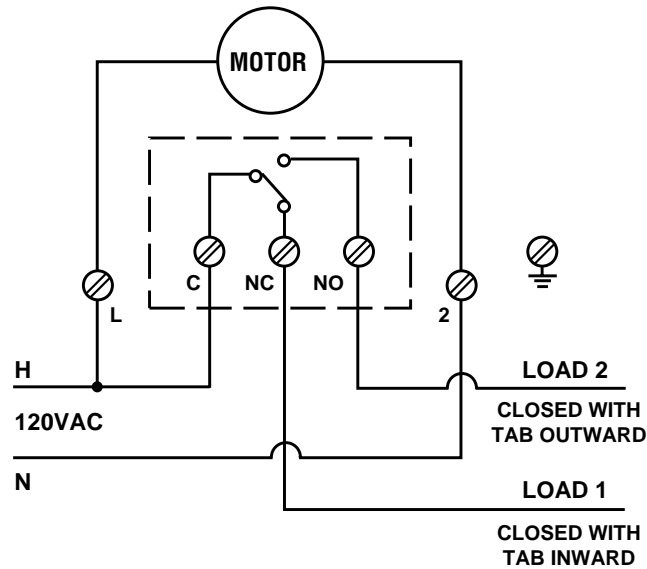
1-1/2HP 240VAC

TIMING MOTOR:

120VAC 60Hz

POWER CONSUMPTION:

3 WATTS MAX.



Disconnect power at main panel prior to installing or servicing this time switch or the equipment connected to it.

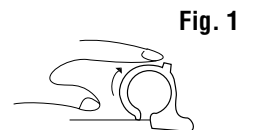
Connect in accordance with national and local electrical codes.

Supply Connections: Use gauge specified (AWG # 8-14) suitable for 75 degrees C (167 degrees F)

INSTALLATION AND OPERATING INSTRUCTIONS

TO SET OPERATING TIMES: Each dial tab represents approximately 1 second. These tabs can be tilted in and out with the fingers.

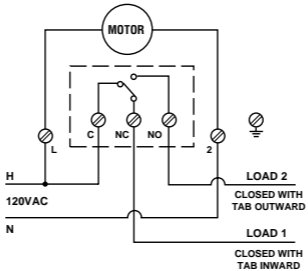
FOR OFF OPERATION: Tilt tabs outward as illustrated in figure 1. Tilt out one tab for each 1 second period. This closes load 2 and opens load 1.



FOR ON OPERATION: Tilt tabs inward toward center of dial, as illustrated in figure 2. This closes load 1 and opens load 2.



TO REMOVE MECHANISM FROM CASE: Press lever near case latch to release mainplate and swing the movement out. To replace, insert mainplate projections in slots opposite latch and swing movement in until it latches.



TORK MODEL 8121 12 MINUTE REPEATING TIMER

SWITCH: SPDT

CONTACT RATINGS:

20 AMP 120/240VAC

3/4HP 120VAC;

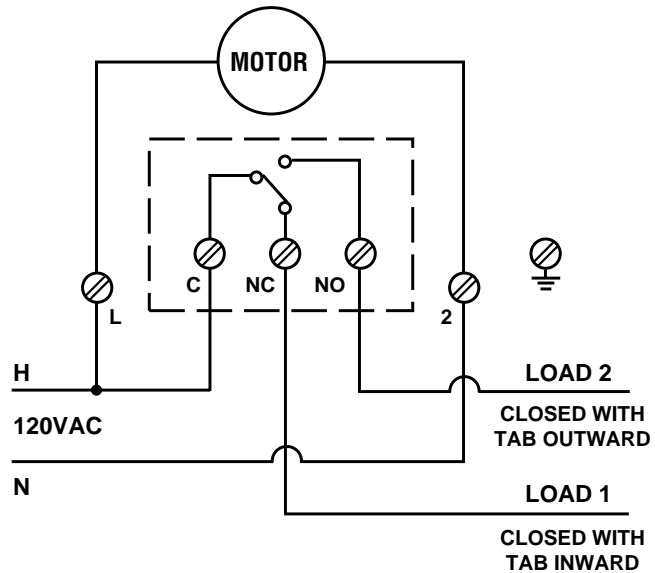
1-1/2HP 240VAC

TIMING MOTOR:

120VAC 60Hz

POWER CONSUMPTION:

3 WATTS MAX.



Disconnect power at main panel prior to installing or servicing this time switch or the equipment connected to it.

Connect in accordance with national and local electrical codes.

Supply Connections: Use gauge specified (AWG # 8-14) suitable for 75 degrees C (167 degrees F)

INSTALLATION AND OPERATING INSTRUCTIONS

TO SET OPERATING TIMES: Each dial tab represents approximately 12 seconds. These tabs can be tilted in and out with the fingers.

FOR OFF OPERATION: Tilt tabs outward as illustrated in figure 1. Tilt out one tab for each 12 second period. This closes load 2 and opens load 1.



Fig. 1

FOR ON OPERATION: Tilt tabs inward toward center of dial, as illustrated in figure 2. This closes load 1 and opens load 2.



Fig. 2

TO REMOVE MECHANISM FROM CASE: Press lever near case latch to release mainplate and swing the movement out. To replace, insert mainplate projections in slots opposite latch and swing movement in until it latches.

TORK MODEL 8150

SWITCH: SPST

CONTACT RATINGS:

10 AMP 120/240VAC

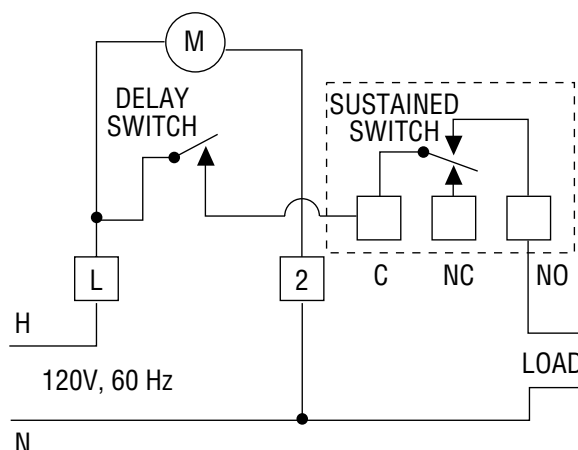
3/4HP 120VAC

TIMING MOTOR:

120VAC 60Hz

POWER CONSUMPTION:

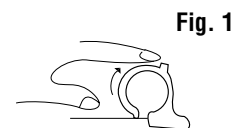
3 WATTS MAX.



Disconnect power at main panel prior to installing or servicing this time switch or the equipment connected to it.
Connect in accordance with national and local electrical codes.
Supply Connections: Use gauge specified (AWG # 8-14) suitable for 75 degrees C (167 degrees F)

INSTALLATION AND OPERATING INSTRUCTIONS

TO SET OPERATING TIMES: Each dial tab represents approximately 15 minutes. These tabs can be tilted in and out with the fingers.



FOR ON OPERATION: Tilt tabs out-ward as illustrated in figure 1. Tilt out one tab for each fifteen minute period.

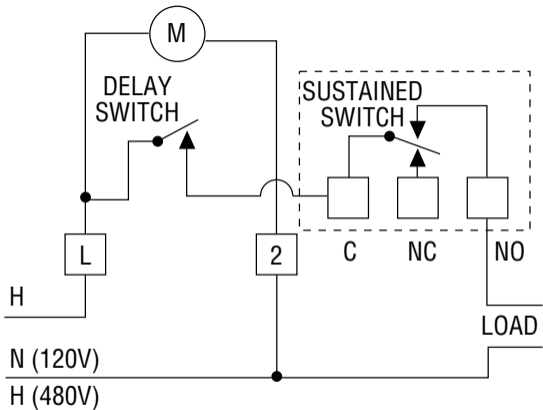


FOR OFF OPERATION: Tilt tabs inward toward center of dial, as illustrated in figure 2.

TO SET DIAL TO TIME: Turn dial counter-clockwise until correct time is indicated by arrow on nameplate. Be sure to check whether time set is A.M. or P.M.

TO SET DELAY: Delay is manually adjustable from 0-8 minutes. Turn "DELAY CONTROL" clockwise for longer delay, counter-clockwise for shorter delay.

TO REMOVE MECHANISM FROM CASE: Press lever near case latch to release mainplate and swing the movement out. To replace, insert mainplate projections in slots opposite latch and swing movement in until it latches.



8150 Series

TORK MODEL 8150U

SWITCH: SPST

CONTACT RATINGS:

5 AMP 480VAC

3/4HP 120VAC

TRANSFORMER:

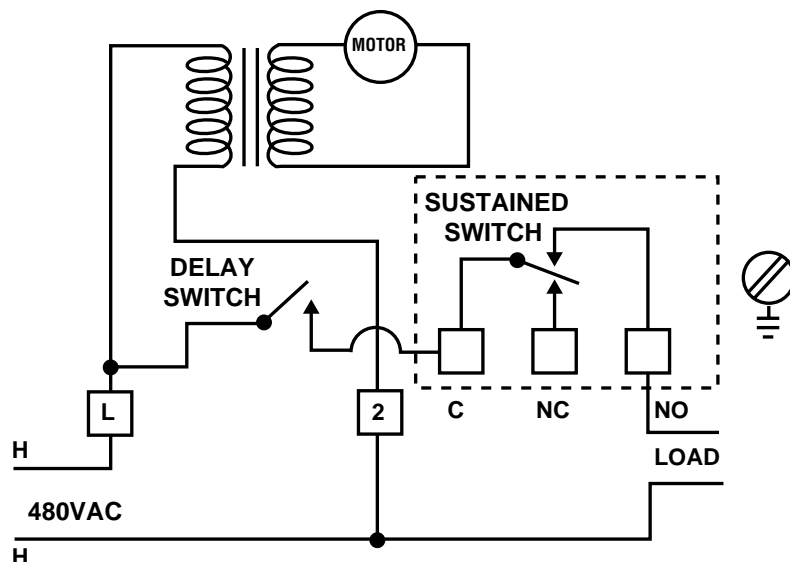
480/120VAC

TIMING MOTOR:

120VAC 60Hz

POWER CONSUMPTION:

3 WATTS MAX.



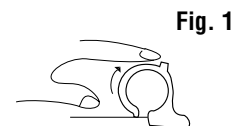
Disconnect power at main panel prior to installing or servicing this time switch or the equipment connected to it.

Connect in accordance with national and local electrical codes.

Supply Connections: Use gauge specified (AWG # 8-14) suitable for 75 degrees C (167 degrees F)

INSTALLATION AND OPERATING INSTRUCTIONS

TO SET OPERATING TIMES: Each dial tab represents approximately 15 minutes. These tabs can be tilted in and out with the fingers.



FOR ON OPERATION: Tilt tabs out-ward as illustrated in figure 1. Tilt out one tab for each fifteen minute period.



FOR OFF OPERATION: Tilt tabs inward toward center of dial, as illustrated in figure 2.

TO SET DIAL TO TIME: Turn dial counter-clockwise until correct time is indicated by arrow on nameplate. Be sure to check whether time set is A.M. or P.M.

TO SET DELAY: Delay is manually adjustable from 0-8 minutes. Turn "DELAY CONTROL" clockwise for longer delay, counter-clockwise for shorter delay.

TO REMOVE MECHANISM FROM CASE: Press lever near case latch to release mainplate and swing the movement out. To replace, insert mainplate projections in slots opposite latch and swing movement in until it latches.

TORK®

1 GROVE STREET, MT. VERNON, NY 10550 TEL: 914-664-3542

FAX: 914-664-5052

TORK MODEL 8301 30 MINUTE REPEATING TIMER

SWITCH: SPDT

CONTACT RATINGS:

20 AMP 120/240VAC

3/4HP 120VAC;

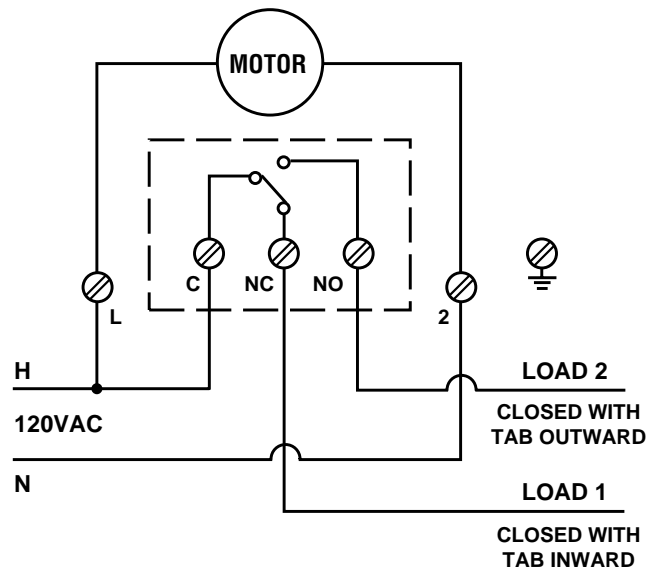
1-1/2HP 240VAC

TIMING MOTOR:

120VAC 60Hz

POWER CONSUMPTION:

3 WATTS MAX.



Disconnect power at main panel prior to installing or servicing this time switch or the equipment connected to it.

Connect in accordance with national and local electrical codes.

Supply Connections: Use gauge specified (AWG # 8-14) suitable for 75 degrees C (167 degrees F)

INSTALLATION AND OPERATING INSTRUCTIONS

TO SET OPERATING TIMES: Each dial tab represents approximately 30 seconds. These tabs can be tilted in and out with the fingers.

FOR OFF OPERATION: Tilt tabs outward as illustrated in figure 1. Tilt out one tab for each 30 second period. This closes load 2 and opens load 1.



FOR ON OPERATION: Tilt tabs inward toward center of dial, as illustrated in figure 2. This closes load 1 and opens load 2.



TO REMOVE MECHANISM FROM CASE: Press lever near case latch to release mainplate and swing the movement out. To replace, insert mainplate projections in slots opposite latch and swing movement in until it latches.

TORK MODEL 8061 6 MINUTE REPEATING TIMER

SWITCH: SPDT

CONTACT RATINGS:

20 AMP 120/240VAC

3/4HP 120VAC;

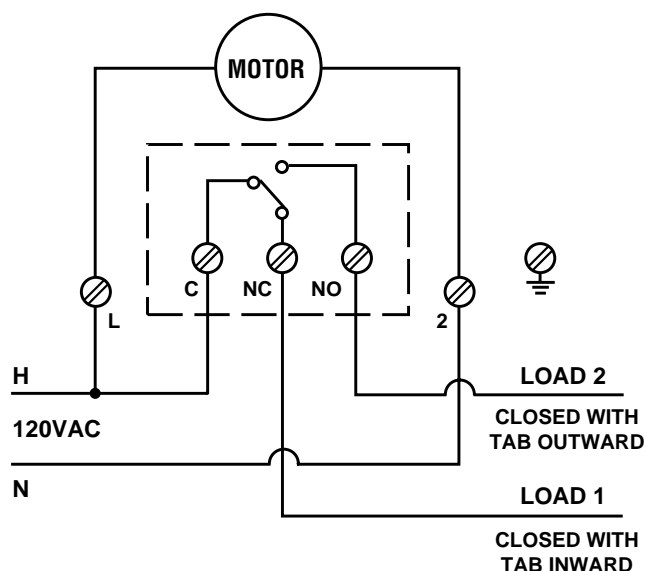
1-1/2HP 240VAC

TIMING MOTOR:

120VAC 60Hz

POWER CONSUMPTION:

3 WATTS MAX.



Disconnect power at main panel prior to installing or servicing this time switch or the equipment connected to it.

Connect in accordance with national and local electrical codes.

Supply Connections: Use gauge specified (AWG # 8-14) suitable for 75 degrees C (167 degrees F)

INSTALLATION AND OPERATING INSTRUCTIONS

TO SET OPERATING TIMES: Each dial tab represents approximately 6 seconds. These tabs can be tilted in and out with the fingers.

FOR OFF OPERATION: Tilt tabs outward as illustrated in figure 1. Tilt out one tab for each 6 second period. This closes load 2 and opens load 1.

FOR ON OPERATION: Tilt tabs inward toward center of dial, as illustrated in figure 2. This closes load 1 and opens load 2.

TO REMOVE MECHANISM FROM CASE: Press lever near case latch to release mainplate and swing the movement out. To replace, insert mainplate projections in slots opposite latch and swing movement in until it latches.

Fig. 1

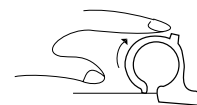


Fig. 2



TORK MODEL 8602 60 MINUTE REPEATING TIMER

SWITCH: SPDT

CONTACT RATINGS:

20 AMP 120/240VAC

3/4HP 120VAC;

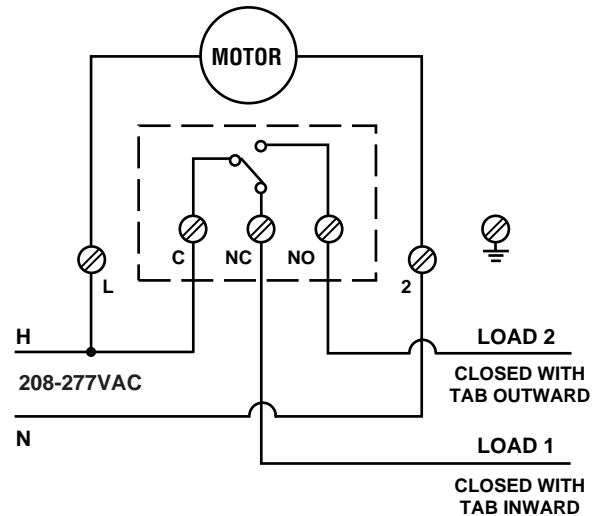
1-1/2HP 240VAC

TIMING MOTOR:

208-277VAC 60Hz

POWER CONSUMPTION:

3 WATTS MAX.



Disconnect power at main panel prior to installing or servicing this time switch or the equipment connected to it.

Connect in accordance with national and local electrical codes.

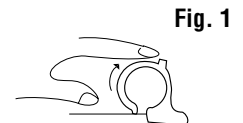
Supply Connections: Use gauge specified (AWG # 8-14) suitable for 75 degrees C (167 degrees F)

INSTALLATION AND OPERATING INSTRUCTIONS

60 MINUTE DIAL: 1 to 30 ON-OFF operations per hour. 60 tabs permit 1 minute switching changes. Cycles adjustable from 2, 3, 4, 5, 6, 10, 12, 15, 20, 30, or 60 minutes, with 1 minute minimum ON and/or OFF settings.

TO SET OPERATING TIMES: Each dial tab represents approximately 1 minute. These tabs can be tilted in and out with the fingers.

FOR OFF OPERATION: Tilt tabs outward as illustrated in figure 1. Tilt out one tab for each 1 minute period. This closes load 2 and opens load 1.



FOR ON OPERATION: Tilt tabs inward toward center of dial, as illustrated in figure 2. This closes load 1 and opens load 2.



TO REMOVE MECHANISM FROM CASE: Press lever near case latch to release mainplate and swing the movement out. To replace, insert mainplate projections in slots opposite latch and swing movement in until it latches.