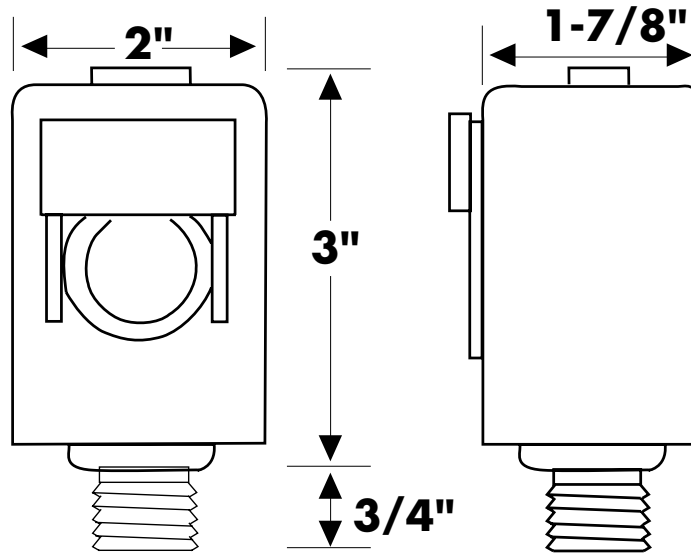


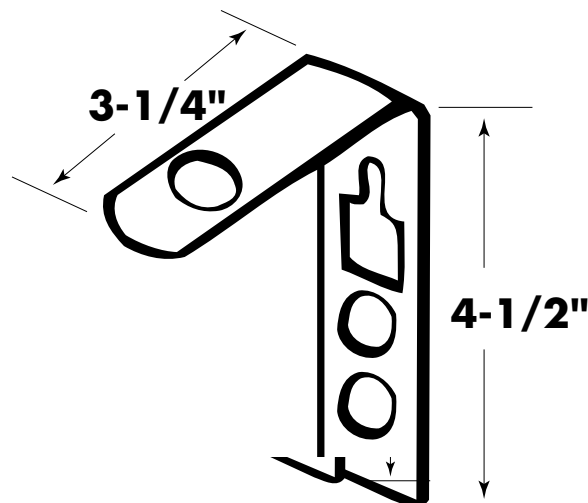
2100 SERIES: SPEC GRADE 1/2" CONDUIT MOUNTING DIMENSIONS/MOUNTING

*MODEL 2105 HAS A POLYCARBONATE ENCLOSURE, 1/2" CELL, 1 YEAR WARRANTY. NOT UL OR CSA.



1/2" CONDUIT FITTING

MOUNTING BRACKET



**B-BRACKET FOR WALL MOUNTING OF ALL 1/2" CONDUIT MODELS
PART #73866**