

2100 SERIES

SPECIFICATION GRADE
1/2" CONDUIT MOUNTING
DIE CAST ZINC
PHOTOCONTROL



APPLICATIONS



- Parking lot lighting
- Building perimeter lighting
- Outdoor signage

FEATURES

OPERATION: Delay of up to two minutes to prevent false switching due to light from passing vehicles, lightning, etc.

HOUSING: Heavy Duty die cast zinc housing and base. Gasketed for maximum weather protection.

ENERGY SAVINGS: Works with screw base CFLs and LED lamps.

ORDERING INFO

CATALOG NO.	UPC CODE	VOLTAGE 50-60Hz
2101	60012	120VAC
2104	60013	208-277VAC
2107	60031	120/277VAC
73866	62020	Mounting Bracket

SPECIFICATIONS

ON/OFF: Turn ON is 1 to 5fc, Turn OFF is 3 to 15fc, without the slide in position. ON/OFF adjustment is easily made by moving a slide cover. No tools required.

TIME DELAY: ON and OFF.

CELL: Cadmium sulphide, epoxy-coated, 1" diameter.

CONTACTS: Remain closed between dusk and dawn. (The unit fails in the ON position).

LEAD WIRES: Three color coded, minimum 6" wire leads, #16AWG, rated for 105°C.

POWER CONSUMPTION: Averages under 1 watt.

TEMPERATURE RANGE: -40° to +140°F (-40° to +60°C).

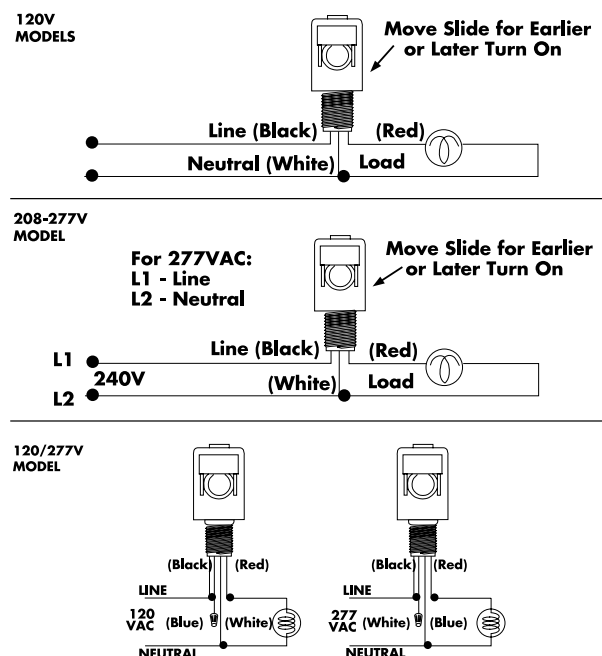
FAIL MODE: ON.

WARRANTY: 5 years.

CONTACT RATINGS

CATALOG NO.	SWITCH	RATING	
		TUNGSTEN	BALLAST
2101	SPST	2000W	1800VA
2104	SPST	2000W	1800VA
2107	SPST	2000W	1800W

WIRING DIAGRAMS



2110 SERIES

SPECIFICATION GRADE
1/2" CONDUIT MOUNTING
DIE CAST ALUMINUM
PHOTOCONTROL



APPLICATIONS



- Parking lot lighting
- Building perimeter lighting
- Outdoor signage

FEATURES

OPERATION: Delay of up to two minutes to prevent false switching due to light from passing vehicles, lightning, etc.

HOUSING: Die case aluminum housing and base. Gasketed for weather protection.

ENERGY SAVINGS: Works with screw base CFLs and LED lamps.

ORDERING INFO

CATALOG NO.	UPC CODE	VOLTAGE 50-60Hz
2115	60032	120VAC
2116	60033	208-277VAC
2117*	60037	120VAC
73866	62020	Mounting Bracket

*Not UL or CSA rated.

SPECIFICATIONS

ON/OFF: Turn ON is 1 to 5fc, Turn OFF is 3 to 15fc, without the slide in position. ON/OFF adjustment is easily made by moving a slide cover. No tools required.

TIME DELAY: ON and OFF.

CELL: Cadmium sulphide, epoxy-coated, 1/2" diameter. Model 2117 is 1" cell.

CONTACTS: Remain closed between dusk and dawn (the unit fails in the ON position).

LEAD WIRES: Three color coded, minimum 6" wire leads, #16AWG, rated for 105°C. (2117 #10AWG red and black).

POWER CONSUMPTION: Averages under 1 watt.

TEMPERATURE RANGE: -40° to +140°F (-40° to +60°C).

FAIL MODE: ON.

WARRANTY: 5 years.

CONTACT RATINGS

CATALOG NO.	SWITCH	RATING	
		TUNGSTEN	BALLAST
2115	SPST	2000W	1800VA
2116	SPST	3470-4620W	2080-2770VA
2117*	SPST	3000W	3000VA

WIRING DIAGRAMS

