

# POWER SUPPLY UNITS

## 24 VDC UNITS



TA640  
UL

TA606  
UL SF

### APPLICATIONS

- Units provide power to multiple signaling devices depending on requirements.

### FEATURES

#### TA606

Regulated and filtered 24VDC up to 600mA. Easy to use screw terminals, accepts #16-24AWG. No conduit is required for installation.

#### TA640

Dual output unit, each providing 2 Amps fo current. If connected in parallel, will provide up to 4Amps. Circuit breaker provides input protection.

### ORDERING INFO

CATALOG NO.	UPC CODE	INPUT VOLTAGE	OUTPUT VOLTAGE	OUTPUT CURRENT	REGULATION	RIPPLE VOLTAGE
TA606	96109	117VAC	24VDC	600mA		
TA640	96110	115VAC	24VDC	4A	+/-5%	10mVRMS

# TRANSFORMERS



### APPLICATIONS

- Engineered to ensure long use on bells, buzzers and chimes.

UL SF

### ORDERING INFO

CATALOG NO.	UPC CODE	TYPE	VOLTS-AMPS (VA)	PRIMARY VOLTAGE	SECONDARY VOLTAGE	Hz
TA590	96104	Bell	5	120	10	60
TA591	96105	Chime	10	120	16	60
TA592	96106	Tri-Volt	10-10-20	120	8-16-24	50/60
TA598	96602	Tri-Volt	20-30-30	120	8-16-24	60
TA599	96108	Heavy Duty	40	120	24	60
TA1245Y-50	96166	Heavy Duty	50VA	120/208/240	24	60
TA1245Y-75	96167	Heavy Duty	75VA	120/208/240	24	60

# ACCESSORIES, REPLACEMENT PARTS & DIMENSIONS

COLOR	LETTER TO REPLACE " "
Red	R
Amber	A
Clear	C
Blue	B
Green	G
White	W

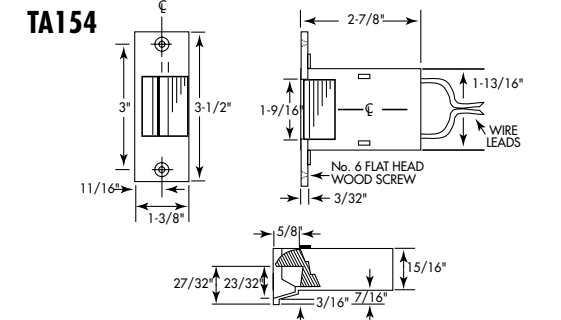
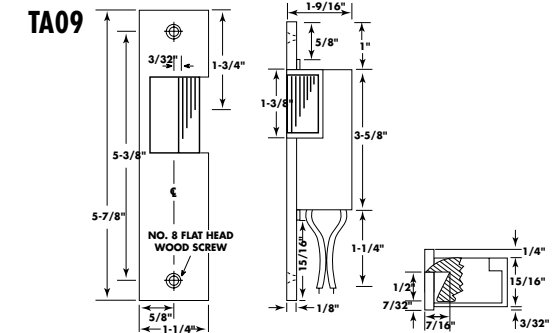
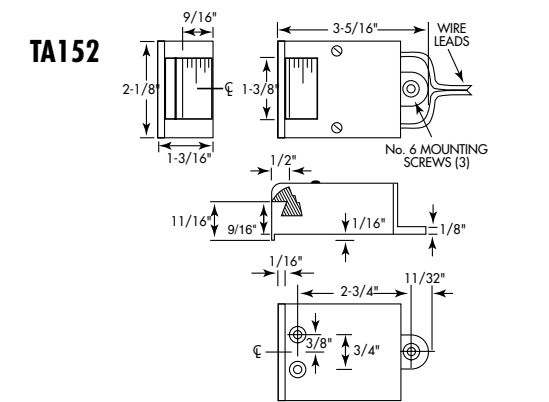
< Full selection of dome colors. To designate color, place desired letter in place of " \* "

### ORDERING INFO

UNIT	CATALOG NO.	UPC CODE	DESCRIPTION
TA131D	TA-D8A	96971	Acrylic Dome – Amber
TA53	TA-M1	96138	12VDC Motor
TA53, TA54	TA-B1	96114	Small Drive Belts
TA53, TA54	TA-B2	96115	Large Drive Belts
TA371L	TA-B3	96116	Drive Belts
TA53, TA54	TA-L3	96129	12VDC Bulb
TA53	TA-L4	96130	24VDC Bulb
TA93-2	TA-L6-2	96982	110VAC Xenon Flash Tube
TA52	TA-L8	96134	110VAC Bulb
TA47	TA-L9	96135	110VAC Bulb
TA94	TA-L10	96136	110VAC Xenon Flash Tube
TA-94	TA-L10-1	96981	110VAC Xenon Flash Tube
TA371L	TA-L12	97625	110VAC Bulb
TA502	TA502-BX	96967	Backbox
TA502	TA502SW	96966	Replacement switch
TA503	TA503SW	96969	Replacement switch
TA874 Series	TA-BBSF	97694	Backbox – 4" painted Dawn Mist
TA874 Series	TA-WBBF	97692	Weatherproof Backbox – .5" KOs 4" painted Dawn Mist
TA-BBSF, TA-WBBF	TA-SFPF	97707	Semi-Flush plate – Dawn Mist
TA-BBSF, TA-WBBF	TA-SFPFR	97697	Semi-Flush plate – Red
TA47, TA94	TA-ADR	96111	Acrylic Dome – Red
TA47, TA94	TA-ADA	96311	Acrylic Dome – Amber
TA47, TA94	TA-ADB	96411	Acrylic Dome – Blue
TA52, TA53	TA-D5B	96419	Acrylic Dome – Blue
TA54	TA-D6R	96120	Dome – Red
TA54	TA-D6A	96320	Dome – Amber
TA54	TA-D6C	96422	Dome – Clear
TA93, TA94	TA-D7R	96121	Fresnal Dome – Red
TA93, TA94	TA-D7A	96321	Fresnal Dome – Amber
TA93, TA94	TA-D7C	96621	Fresnal Dome – Clear
TA93, TA94	TA-D7B	96421	Fresnal Dome – Blue
TA131D	TA-D8R	96970	Acrylic Dome – Red

### DIMENSIONS

#### REMOTE CONTROL DOOR OPENERS



#### HEAVY DUTY BELLS

