



from **TORK®**

**DZS400A**

**MULTI-PURPOSE, 4 CHANNEL CONTROL  
MODEL DZS400A  
WITH PORTABLE MEMORY MODULE &  
OPTIONAL MEMORY MODULE  
PROGRAMMER**

**PORTABLE MEMORY MODULE (MM)**



- Memory Module on front panel for easy insertion and removal.
- Program Memory Module (MM) using keypad on the unit at any one location and insert into another unit (with memory module socket) in any other remote location.
- Eliminates the need for trained personnel at different locations.
- Installation and Programming of the units can be done independently.
- Implement program changes easily by swapping out Memory Modules.

**MEMORY MODULE PROGRAMMER (MMP)**



This optional Windows based personal computer software and hardware package makes programming as easy as 1, 2, 3 by clicking on the mouse.

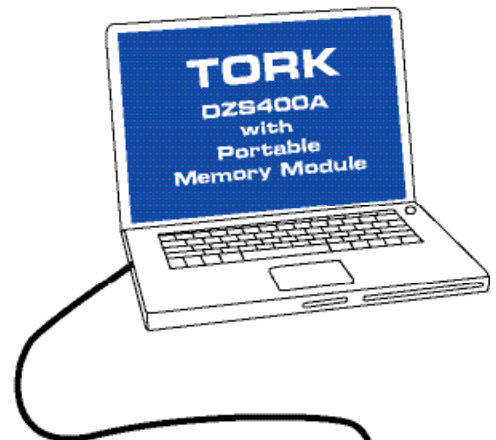
- Enter settings on your computer and download to portable Memory Module, in seconds.
- Can upload existing program from Memory Module to computer to save or copy.
- Program multiple Memory Modules quickly and easily.
- Print hard copy of all settings for verification.



Meets California Energy Commission Title 24 requirements.

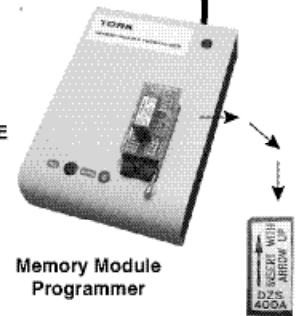
**1**

**PROGRAM SETTINGS ON YOUR COMPUTER**



**2**

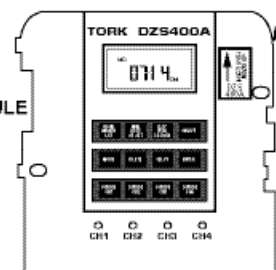
**DOWNLOAD TO PORTABLE MEMORY MODULE**



Memory Module Programmer

**3**

**INSERT MEMORY MODULE INTO UNIT**



# MULTI-PURPOSE, 4 CHANNEL WITH PORTABLE MEMORY MODULE

## 365 Day Advance Single Holiday and Seasonal Scheduling

### Astronomic Option

**DZS400A**



Meets California Energy Commission Title 24 requirements.

**MEMORY MODULE (MM)** can be programmed at any one location and inserted into another DZS400A (with Memory Module socket) in any other remote location.

#### OPTIONAL MEMORY MODULE PROGRAMMER – MMP

Windows based personal computer software & hardware package makes programming the Memory Module as easy as 1, 2, 3 by clicking on the mouse. The program can be individualized or copied onto multiple memory modules for use in different locations.

#### OPERATIONAL FEATURES

**ON and OFF Set Points** - 99 total per week

##### Astronomic -

1. Adjustable 10° - 60° Northern or Southern latitudes.
2. Each channel can be individually offset ±1-99 minutes from both sunset and sunrise times.

**Holidays** - 1 to 24 individual dates

**Seasons** - 1 to 4 with different daily schedules which can wrap around into the new year

**Daylight Saving** - Automatic adjustment (can be omitted)

**Leap Year** - Automatic compensation

**Display** - LCD

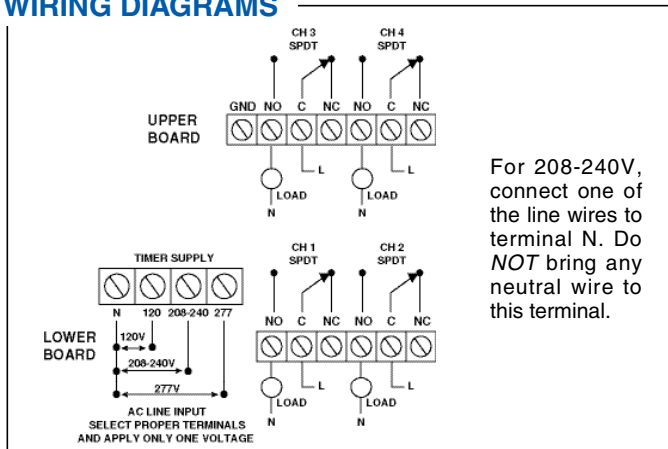
**Manual Override** - Until the next regularly scheduled ON or OFF. Automatic operation then resumes.

**Signal/Pulse Duration** - 2 different settings per channel - each 1-99 seconds.

**Clock Format** - AM/PM

**Power Outage Backup** - Permanent schedule retention for upto 40 years. Snap-in lithium battery maintains real time.

#### WIRING DIAGRAMS



**PORTABLE MEMORY MODULE ON FRONT PANEL FOR EASY INSERTION AND REMOVAL**

#### ORDERING INFORMATION

| Model   | Clock Input - VAC<br>50/60 Hz | Dry Contacts<br>(unpowered) |
|---------|-------------------------------|-----------------------------|
| DZS400A | 120 / (208 - 240) / 277*      | SPDT                        |

\* For 12VDC or 24VAC, consult factory.

#### SPECIFICATIONS

**Power Consumption:** 6 VA Max.

**Contact Ratings:**

| Type            | Voltage                | Rating           |
|-----------------|------------------------|------------------|
| General Purpose | 24-277 VAC, 30 VDC     | 10A              |
| Tungsten        | 120 VAC                | 360 watts        |
| Pilot Duty      | 120-277 VAC            | 360 VA           |
| Motor Load      | 120 VAC<br>208-240 VAC | 1/4 HP<br>1/3 HP |

**Operating Temperature:** -40° to +158°F (-40° to +70°C)

##### Enclosure:

**Noryl® indoor/outdoor** (NEMA 3R) is standard. For **metal indoor** (add suffix Y to catalog #).

Other Mountings:

**Metal indoor/outdoor** (suffix O) - Model 9000A.

**Flush with lock and key** (suffix FLG) – Model 9011.

**Bracket for panel mounting** – consult factory.

#### SPECIFICATION WRITER'S GUIDE

1. Furnish and install where noted a 4 channel digital time switch with portable memory module on front panel.
2. Memory module shall be capable of being programmed at any one location and inserted into the new DZS400A (with memory module socket) in any other remote location.
3. Optional programmer shall be available, Model MMP, capable of accomplishing Windows based settings on a PC for easy duplication of memory modules or individualized programs for multiple locations.
4. Controller shall program in AM/PM format.
5. Controller shall program in one minute resolution.
6. Display shall be of LCD type.
7. Controller shall be capable of 99 set points; separate scheduling for each day of the week.
8. Controller shall have 365 day holiday capabilities with 24 single dates and 4 seasons of unlimited duration.
9. Different daily schedules shall be programmable within each season.
10. Controller shall have Daylight Saving or Standard time.
11. Controller shall have automatic Leap Year correction.
12. Schedules shall be retained for 40 years without power.
13. Controller shall have 30 day backup for real time using field replaceable 9V lithium battery.
14. Controller shall be capable of manual override ON or OFF to the next scheduled event using 1 button for each channel.
15. Unit shall have NEMA Type 3 indoor/outdoor enclosure as standard.
16. Controller shall be capable of having 2 different pulse durations 1-99 seconds, user settable and assignable to each channel.
17. Controller shall be capable of having astronomic on one (or all) channels with 1-99 minutes, plus or minus offset from Sunrise or Sunset.
18. To order specify TORQ Model DZS400A.